

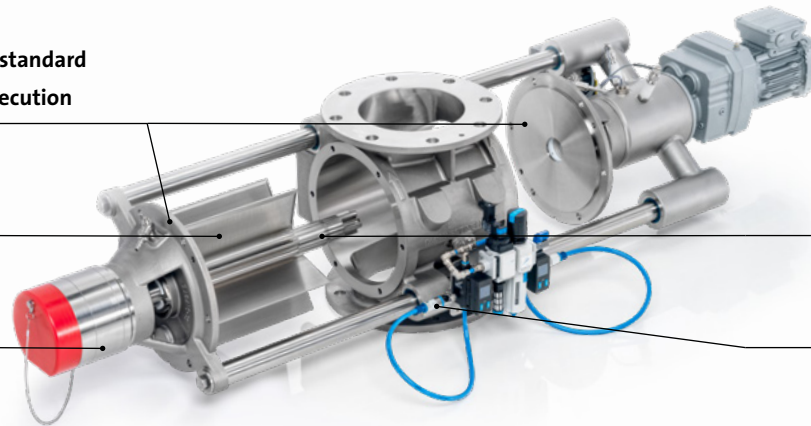
THE STANDARD IN CLEANABILITY

THE MZC-II AL DAIRY

Opening at both ends is the standard for rotary valves for dairy execution

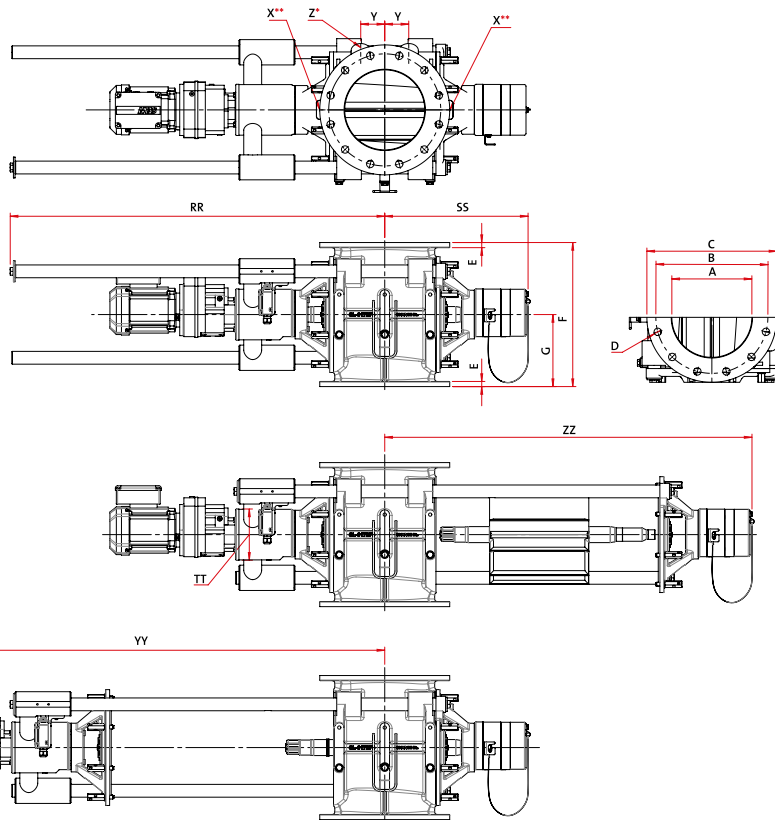
The rotor can be rotated freely

Finger-safe rotor extraction



Due to the unique shape of the drive shaft, the rotor will self-align with the drive side

Quick release air connections



Unique features

- ▶ Unprecedented cleanability
- ▶ Easier and safer maintenance than ever before
- ▶ Standard opening at both ends for dairy execution
- ▶ Perfectly suitable for a broad range of industries



* Standard not pre-drilled

** Air purge connection

Technical modifications are possible, dimensions in inches

| Type AL | YY | ZZ | Type SEW | Σin-lbs |
|---------|-------|-------|----------|---------|
| 150 | 50.79 | 35.63 | RF37 | 975 |
| 175 | 53.15 | 37.99 | RF37 | 1330 |
| 200 | 58.66 | 42.72 | RF47 | 1860 |
| 250 | 61.42 | 45.67 | RF47 | 2525 |
| 300 | 72.05 | 53.94 | RF57 | 3630 |
| 350 | 76.18 | 58.07 | RF57 | 4960 |

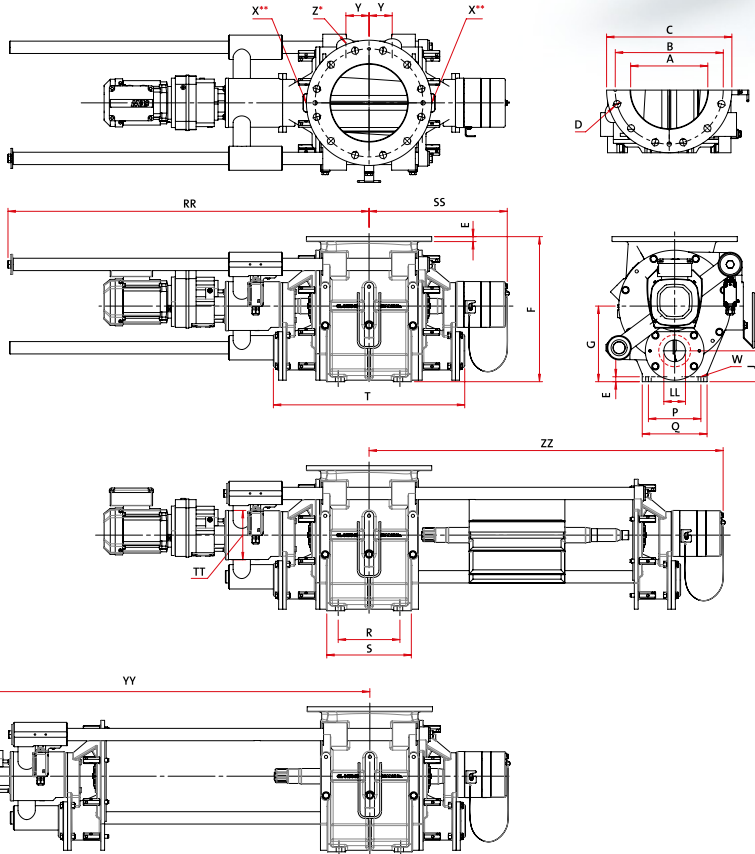
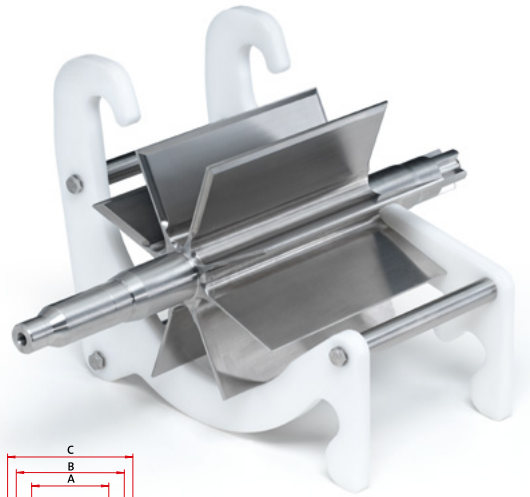
| Type AL | Ft ³ /rev | DIN | | | ANSI | | | E | F | G | X** | Y | Z* | RR | SS | TT |
|---------|----------------------|-------|-------|----------|-------|-------|------------|------|-------|-------|-------------------|------|-------------|-------|-------|------|
| | | ØA | ØB | D | ØC | ØB | D | | | | | | | | | |
| 150 | 0.09 | 5.91 | 9.45 | 8xØ0.91 | 11.22 | 9.50 | 8xØ7/8" | 0.47 | 11.02 | 5.51 | 1/4" BSP (Ø0.39") | 1.57 | UNEF 1 1/8" | 35.83 | 14.57 | 4.72 |
| 175 | 0.19 | 6.89 | 10.63 | 8xØ0.91 | 12.40 | --- | ---- | 0.55 | 12.99 | 6.50 | 1/4" BSP (Ø0.39") | 2.09 | UNEF 1 1/8" | 38.19 | 15.35 | 4.72 |
| 200 | 0.37 | 7.87 | 11.61 | 8xØ0.91 | 13.50 | 11.75 | 8xØ7/8" | 0.55 | 15.35 | 7.68 | 1/4" BSP (Ø0.39") | 2.56 | UNEF 1 1/8" | 43.11 | 17.13 | 6.30 |
| 250 | 0.67 | 9.84 | 13.78 | 12xØ0.91 | 15.98 | 14.25 | 12xØ1" | 0.63 | 17.72 | 8.86 | 1/4" BSP (Ø0.39") | 2.95 | UNEF 1 1/8" | 46.06 | 18.11 | 6.30 |
| 300 | 1.20 | 11.81 | 15.75 | 12xØ0.91 | 19.02 | 17.00 | 12xØ1" | 0.83 | 21.26 | 10.63 | 1/4" BSP (Ø0.39") | 3.74 | UNEF 1 1/8" | 54.53 | 21.26 | 7.87 |
| 350 | 2.05 | 13.78 | 18.11 | 16xØ0.91 | 20.87 | 18.75 | 12xØ1 1/8" | 1.02 | 25.98 | 12.99 | 1/4" BSP (Ø0.39") | 4.41 | UNEF 1 1/8" | 58.66 | 22.64 | 7.87 |

DMN-WESTINGHOUSE 07-2021

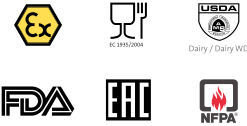
THE MZC-II BL DAIRY

Meet the MZC-II rotary valve

Easy and safe access is what defines this rotary valve. It opens at both ends. It's incredibly easy to slide out the rotor in order to clean every possible spot. The rotor can even be taken out completely (finger-safe rotor extraction) and placed in a specially designed 'cradle' for precision cleaning. Sliding the self-aligning rotor back in place takes no effort whatsoever.



The ultimate innovative application for a broad range of industries



| Type BL | Ft ³ /rev | DIN | | | ANSI | | | E | F | G | J | P | Q | R | S | T | W |
|---------|----------------------|-------|-------|----------|-------|-------|------------|------|-------|-------|------|------|-------|-------|-------|-------|---------|
| | | ØA | ØB | D | ØC | ØB | D | | | | | | | | | | |
| 150 | 0.09 | 5.91 | 9.45 | 8xØ0.91 | 11.22 | 9.50 | 8xØ7/8" | 0.47 | 11.61 | 6.10 | 2.56 | 4.33 | 5.51 | 3.94 | 6.06 | 18.19 | 4xØ0.47 |
| 175 | 0.19 | 6.89 | 10.63 | 8xØ0.91 | 12.40 | ---- | ---- | 0.55 | 13.39 | 6.89 | 2.95 | 5.12 | 6.30 | 5.12 | 7.48 | 19.76 | 4xØ0.55 |
| 200 | 0.37 | 7.87 | 11.61 | 8xØ0.91 | 13.50 | 11.75 | 8xØ7/8" | 0.55 | 16.14 | 8.46 | 3.54 | 6.30 | 7.87 | 6.30 | 9.06 | 22.52 | 4xØ0.71 |
| 250 | 0.67 | 9.84 | 13.78 | 12xØ0.91 | 15.98 | 14.25 | 12xØ 1" | 0.63 | 18.50 | 9.65 | 3.94 | 6.69 | 8.27 | 7.87 | 10.79 | 24.49 | 4xØ0.71 |
| 300 | 1.20 | 11.81 | 15.75 | 12xØ0.91 | 19.02 | 17.00 | 12xØ 1" | 0.83 | 22.24 | 11.61 | 4.72 | 7.48 | 9.45 | 10.24 | 13.78 | 28.50 | 4xØ0.91 |
| 350 | 2.05 | 13.78 | 18.11 | 16xØ0.91 | 20.87 | 18.75 | 12xØ1 1/8" | 1.02 | 26.18 | 13.19 | 5.20 | 8.66 | 10.63 | 12.20 | 16.14 | 31.26 | 4xØ0.91 |

| Type BL | X** | Y | Z* | LL | RR | SS | TT | YY | ZZ | Type SEW | ≥in-lbs |
|---------|-------------------|------|-------------|------|-------|-------|------|-------|-------|----------|---------|
| 150 | 1/4" BSP (Ø0.39") | 1.57 | UNEF 1 1/8" | 1.38 | 35.83 | 14.57 | 4.72 | 50.79 | 35.63 | RF37 | 975 |
| 175 | 1/4" BSP (Ø0.39") | 2.09 | UNEF 1 1/8" | 1.97 | 38.19 | 15.35 | 4.72 | 53.15 | 37.99 | RF37 | 1330 |
| 200 | 1/4" BSP (Ø0.39") | 2.56 | UNEF 1 1/8" | 1.97 | 43.11 | 17.13 | 6.30 | 58.66 | 42.72 | RF47 | 1860 |
| 250 | 1/4" BSP (Ø0.39") | 2.95 | UNEF 1 1/8" | 2.76 | 46.06 | 18.11 | 6.30 | 61.42 | 45.67 | RF47 | 2525 |
| 300 | 1/4" BSP (Ø0.39") | 3.74 | UNEF 1 1/8" | 3.94 | 54.53 | 21.26 | 7.87 | 72.05 | 53.94 | RF57 | 3630 |
| 350 | 1/4" BSP (Ø0.39") | 4.41 | UNEF 1 1/8" | 4.92 | 58.66 | 22.64 | 7.87 | 76.18 | 58.07 | RF57 | 4960 |

* Standard not pre-drilled

**Air purge connection

Technical modifications are possible, dimensions in inches