

PRESSURE RELIEVE VALVE – PRV

The PRV over-and-underpressure relief valve is an indispensable component for guaranteeing atmospheric pressure in receiving and discharging vessels.

The PRV is designed to avoid an explosion or implosion which can occur when an unacceptable level of pressure or vacuum arises inside the hopper or silo. In such a situation the PRV will automatically open and restore atmospheric conditions inside the silo or hopper. As soon as the atmospheric condition is achieved, the valve will close and re-establish sealing.

Available sizes and capacity

Size PRV 250

Technical characteristics

Design pressure	+1.45 / -0.73 PSI
Maximum operating pressure	+0.65 / -0.29 PSI
Design temperature	-4°F / +392°F
Maximum operating temperature	+14°F / +302°F
(Template) flanges	DN 250 PN 16 (4 holes)
Minimum calibration pressure	+0.12 / -0.07 PSI



Specifications

- ▶ Reliable
- ▶ Compact form
- ▶ Maintenance free
- ▶ Use of non-corrosive materials
- ▶ Easy disassembly and inspection

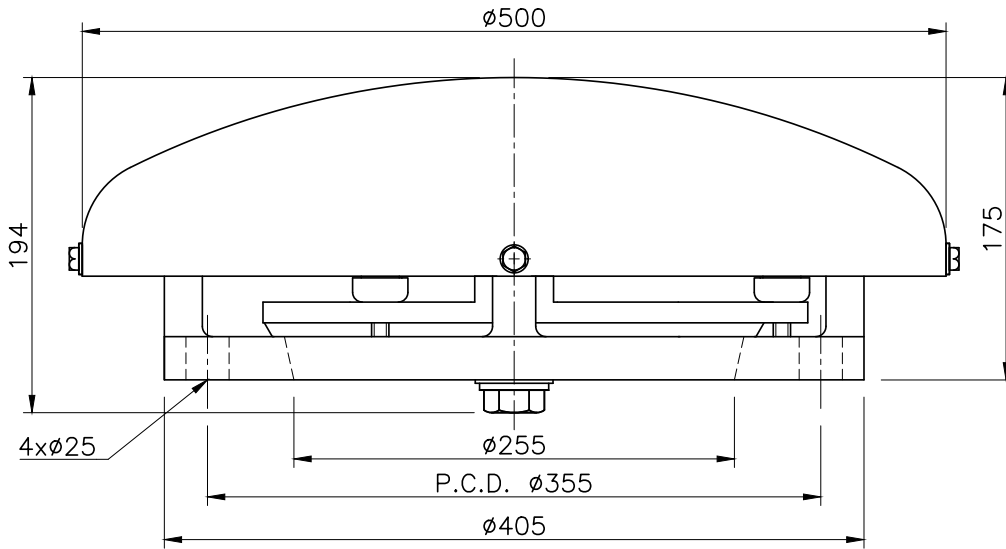
Product Information

Constructed for outdoor conditions, the PRV consists of a cast aluminium body containing a cast aluminium overpressure and underpressure disc. The calibrated stainless steel springs ensure that under normal conditions the gaskets are sufficiently compressed for effective sealing. The whole unit is protected by a stainless steel cover.

The standard execution is suitable for 0.57 PSI overpressure and 0.29 PSI underpressure. Other specifications are available on request.

Application

The PRV is suitable for application with silo storage.



Flow rate characteristics

Approximate value (air $\gamma_s=1.22$)

