

THE NEW STANDARD IN CLEANABILITY

THE NEW MZC-II AL DAIRY

Opening at both ends is the new standard for rotary valves for dairy execution

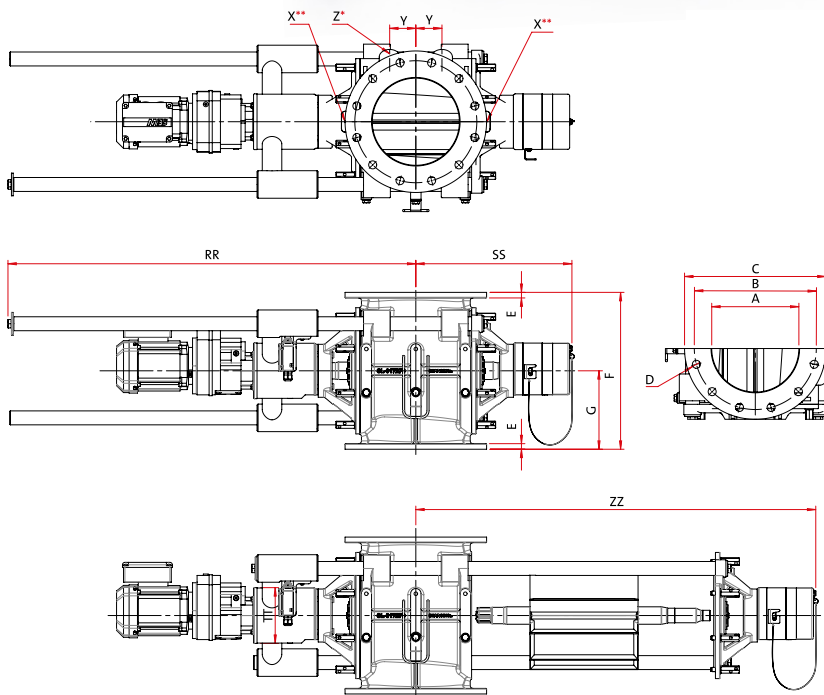
The rotor can be rotated freely

Finger-safe rotor extraction



Due to the unique shape of the drive shaft, the rotor will self-align with the drive side

Quick release air connections



Unique features

- ▶ Unprecedented cleanability
- ▶ Easier and safer maintenance than ever before
- ▶ Standard opening at both ends for dairy execution
- ▶ Perfectly suitable for a broad range of industries

Type AL	Ltr/rev	ØA	DIN			ANSI			E	F	G	X**	Y	Z*	RR	SS	TT
			ØB	D	ØC	ØB	D										
150	2,5	150	240	8XØ23	285	241,3	8XØ22,2	12	280	140	1/4"(Ø10)	40	UNEF 1 1/8"	910	360	120	
175	5,5	175	270	8XØ23	315	----	----	14	330	165	1/4"(Ø10)	53	UNEF 1 1/8"	970	380	120	
200	10,5	200	295	8XØ23	343	298,4	8XØ22,2	14	390	195	1/4"(Ø10)	65	UNEF 1 1/8"	1095	425	160	
250	19	250	350	12XØ23	406	361,9	12XØ25,4	16	450	225	1/4"(Ø10)	75	UNEF 1 1/8"	1170	450	160	
300	34	300	400	12XØ23	483	431,8	12XØ25,4	21	540	270	1/4"(Ø10)	95	UNEF 1 1/8"	1385	530	200	
350	58	350	460	16XØ23	530	476,2	12XØ28,6	26	660	330	1/4"(Ø10)	112	UNEF 1 1/8"	1490	565	200	

Type AL	ZZ	Type SEW	≥Nm
150	895	RF37	110
175	955	RF37	150
200	1075	RF47	210
250	1150	RF47	285
300	1360	RF57	410
350	1465	RF57	560

* Standard not pre-drilled | Standaard niet voorgeboord | Standard nicht gebohrt | Standard non percé | Estándarno taladrado | Standard non preforato | Standardowo nieprzewiercone | Стандартное исполнение без отверстий

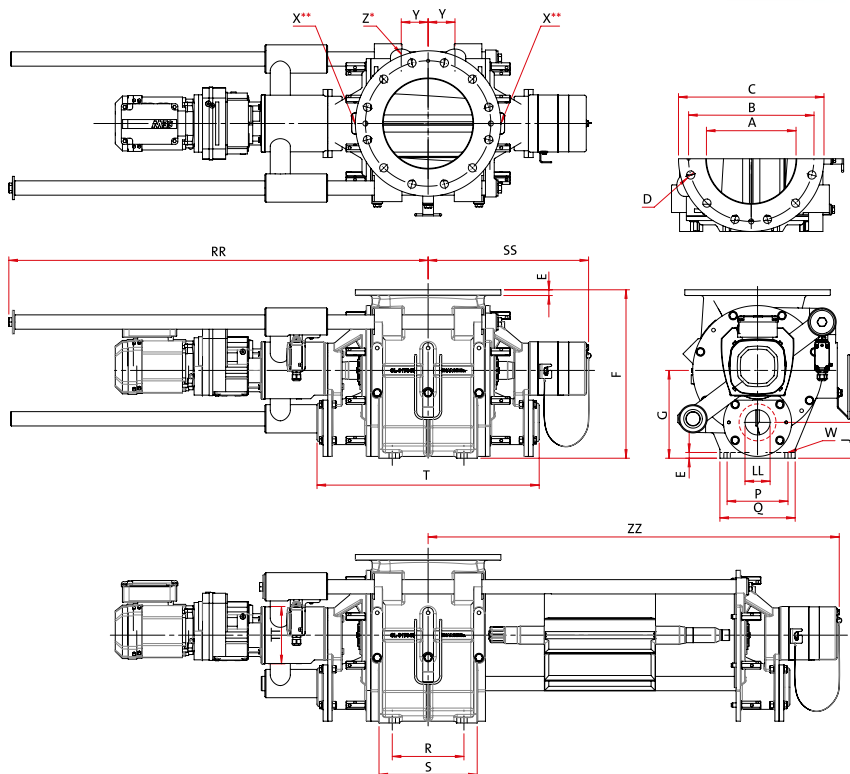
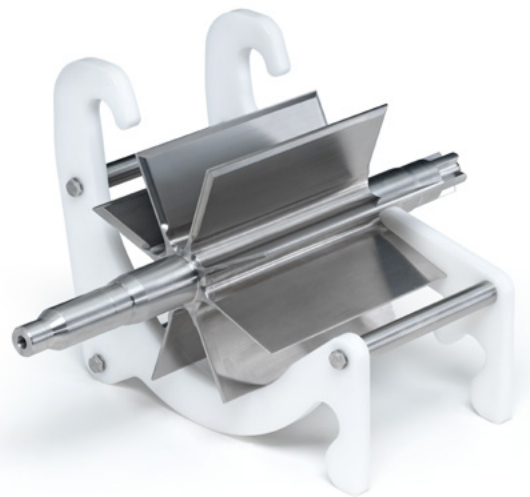
** Air purge connection | Aansluiting luchtdichting | Luftspülanschluss | Connexion insu ation d'air | Entrada de aire de sellado | Ingresso aria di ussaggio | Złącze powietrza płuczącego | Подключение продувки воздухом



MZC-II BL DAIRY

Meet the new MZC-II rotary valve

Easy and safe access is what defines this new rotary valve. It opens at both ends. It's incredibly easy to slide out the rotor in order to clean every possible spot. The rotor can even be taken out completely (finger-safe rotor extraction) and placed in a specially designed 'cradle' for precision cleaning. Sliding the self-aligning rotor back in place takes no effort whatsoever.



The ultimate innovative application
for a broad range of sectors



* Standard not pre-drilled | Standaard niet voorgeboord | Standard nicht gebohrt | Standard non percé | Estándarno taladrado | Standardo ni przerwiercone | Стандартное исполнение без отверстий

** Air purge connection | Aansluiting luchtfdichting | Luftspülanschluss | Connexion insu ation d'air | Entrada de aire de sellado | Ingresso aria di ussaggio | Złącze powietrza płuczącego | Подключение продувки воздухом

Type BL	Ltr/rev	ØA	DIN			ANSI			E	F	G	J	P	Q	R	S	T	W
			ØB	D	ØC	ØB	D											
150	2,5	150	240	8XØ23	285	241,3	8XØ22,2	12	295	155	65	110	140	100	154	462	4XØ12	
175	5,5	175	270	8XØ23	315	----	----	14	340	175	75	130	160	130	190	502	4XØ14	
200	10,5	200	295	8XØ23	343	298,4	8XØ22,2	14	410	215	90	160	200	160	230	572	4XØ18	
250	19	250	350	12XØ23	406	361,9	12XØ25,4	16	470	245	100	170	210	200	274	622	4XØ18	
300	34	300	400	12XØ23	483	431,8	12XØ25,4	21	565	295	120	190	240	260	350	724	4XØ23	
350	58	350	460	16XØ23	530	476,2	12XØ28,6	26	665	335	132	220	270	310	410	794	4XØ23	

Type BL	X**	Y	Z*	LL	RR	SS	TT	ZZ	Type SEW	≥Nm
150	1/4"(Ø10)	40	UNEF 1 1/8"	35	910	360	120	895	RF37	110
175	1/4"(Ø10)	53	UNEF 1 1/8"	50	970	380	120	955	RF37	150
200	1/4"(Ø10)	65	UNEF 1 1/8"	50	1095	425	160	1075	RF47	210
250	1/4"(Ø10)	75	UNEF 1 1/8"	70	1170	450	160	1150	RF47	285
300	1/4"(Ø10)	95	UNEF 1 1/8"	100	1385	530	200	1360	RF57	410
350	1/4"(Ø10)	112	UNEF 1 1/8"	125	1490	565	200	1465	RF57	560