



# SINGLE PIPE PLUG DIVERTER – SPTD

The SPTD single pipe plug diverter is designed to route powders and pellets with minimum degradation in pneumatic conveying systems.

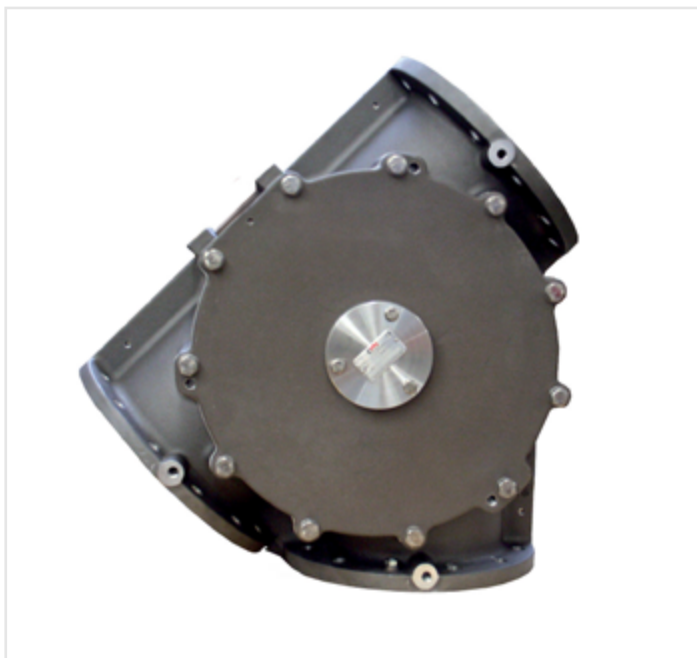
Precision machining, proper sealing, and an obstruction-free internal geometry guarantee a smooth passage of product.

The user-friendly foolproof design enables quick on-site internal examination, cleaning and, when necessary, replacement of seals.

The design of the SPTD plug diverter conforms to all current legislation regarding safety in the workplace. Consequently, there are no moving parts on the outside.

## Available sizes

Size SPTD    150        200        250        300        350        400



## Specifications

- ▶ Universal application
- ▶ Sizes from 150 mm up to 400 mm (6" to 16")
- ▶ Pressure up to 3 barg
- ▶ Maximum product temperature +80°C for standard models
- ▶ For diverting only
- ▶ Static or inflatable seals
- ▶ No moving parts on the outside
- ▶ Various options available
- ▶ Pressure shock resistant up to 10 barg
- ▶ ATEX 2014/34/EU certification available
- ▶ EC1935/2004 conformity available

## Product Information

The SPTD is user-friendly, pressure shock resistant, and with standard static seals suitable for pressures up to 3 barg. All sizes are optionally available with inflatable seals.

The SPTD plug diverter consists of an aluminium housing and end covers in which a plug with a single straight pipe is installed. All product contact surfaces are stainless steel AISI 316L/DIN 1.4404. Optionally the product contact surfaces can be anodized aluminium.

The SPTD is supplied with a complete electro-pneumatic control system, including solenoids and inductive position sensors. Two EC 1935/2004 and FDA compliant silicone seals guarantee the sealing between housing and plug. The body is pressure-tight, thus ensuring no leakage to the atmosphere.

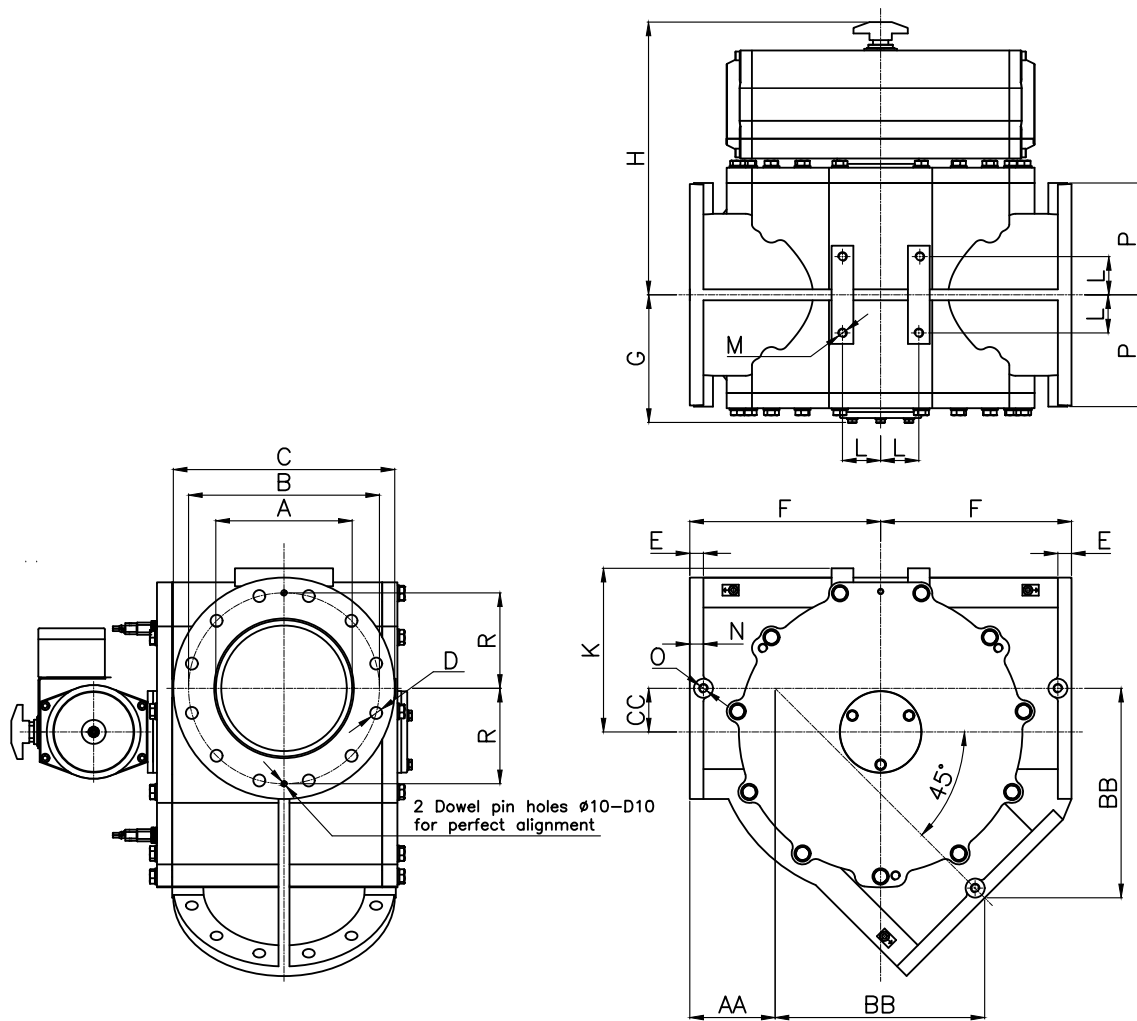
The plug diverter is suitable for product temperatures ranging from -25°C up to +80°C at ambient temperatures of -10°C up to +40°C.

## Application

The SPTD is suitable for the following industries:

- ▶ Plastics
- ▶ Food
- ▶ Pet food
- ▶ Animal feed
- ▶ Chemicals
- ▶ Paint
- ▶ Minerals
- ▶ Recycling
- ▶ Batteries
- ▶ Tires
- ▶ Cosmetics
- ▶ Biomass

Continued on next page ▶▶



TYPE	DIN				ANSI				E	F	G	H	K	L	M	N	O	P	AA	BB	CC
	ØA	ØB	D	ØC	ØB	D															
SPTD	ØA	ØB	D	ØC	ØB	D	E	F	G	H	K	L	M	N	O	P	AA	BB	CC		
150	150	240	8xØ22	285	241.4	8xØ22.2	20	260	180	390	195	50	M16x24	20	M16x24	145	151	261	45		
162*	162																				
200	200	295	8xØ22	343	298.4	8xØ22.2	25	300	205	435	240	50	M16x24	25	M16x24	175	155	315	60		
213*	213																				
250	250	350	12xØ22	406	361.9	12xØ25.4	25	350	235	500	300	70	M16x24	25	M16x24	205	156	384	80		
267*	267																				
300	300	400	12xØ22	483	431.8	12xØ25.4	25	400	260	525	360	70	M16x24	25	M16x24	245	170	445	95		
318*	318																				
350	350	460	16xØ22	530	476.2	12xØ28.6	25	450	290	597	400	70	M16x32	25	M16x24	270	184	506	110		
400	400	515	16xØ22	595	539.7	16xØ28.6	25	525	315	622	450	70	M16x32	25	M16x24	300	223	585	125		

\* Inside diameter of pipe

Technical modifications are possible, dimensions in mm.