



# MEDIUM DUTY AIRLOCK – MALD

The MALD medium-duty valves are suitable for applications where valves with outboard bearings would be over-qualified. The valves give exceptional value for money due to the simple construction and direct drive.

The valves are suited for both conveying and metering purposes. They are ideal for vacuum conveying applications, Big bag unloading, cyclone applications, and general-purpose applications. The MALD valve utilizes the AL-valve body, which has two round flanges and is suitable for powders. This valve is suitable for many applications where a valve with outboard bearings would be over-qualified.

## Available sizes and capacity

Size MALD	100	150	175	200	250	300	350
Capacity* FT <sup>3</sup> /REV.	0.03	0.09	0.19	0.37	0.67	1.20	2.05

\*Capacity per revolution at 100% filling



## Specifications

- ▶ Compact design
- ▶ Standard fitted with Nord direct drive
- ▶ Pressure shock resistant up to 10 barg
- ▶ Flange drillings available to PN 10 and ANSI 150 lbs
- ▶ Suitable for frequency inverter control
- ▶ Sheared angle inlet
- ▶ ATEX 2014/34/EU certification available
- ▶ EC1935/2004 conformity available

## Product Information

The valves are available in three materials of construction: cast iron, aluminium, and stainless steel. The cast iron valves are also available nickel or chrome plated.

The standard rotor has 8 fixed blades chamfered on three sides. Various rotor configurations are optionally available with a variety of adjustable blades. The end covers have inboard ball bearings sealed for life. The shaft sealing utilizes lipseals, with the option of air purge.

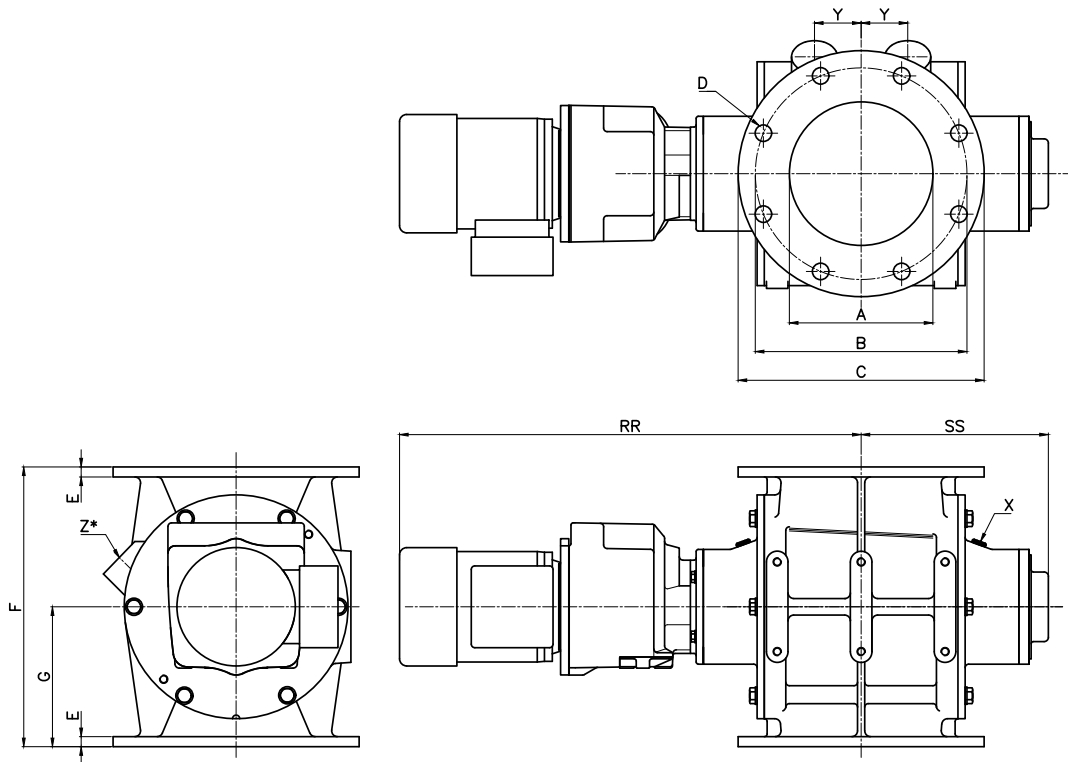
The standard models are suitable for handling products up to a temperature of +149°F and a maximum pressure differential of 14.5 PSI. The valves are pressure shock resistant up to 145 PSI.

## Application

The MALD is suitable for the following industries:

- ▶ Food
- ▶ Animal feed
- ▶ Pet food
- ▶ Minerals
- ▶ Chemicals
- ▶ Recycling
- ▶ Plastics
- ▶ Biomass
- ▶ Paint

Continued on next page ▶▶



TYPE		DIN				ANSI											
MALD	Ft <sup>3</sup> /rev	ØA	ØB	D	ØC	ØB	D	E	F	G	X	Y	Z*	RR	SS	Type NORD	≥lb-in
100	0.03	3.94	6.69	4xØ0.71	8.27	-	-	0.41	7.09	3.54	½" BSP	-	-	18.46	6.50	SK172.1F	620
150	0.09	5.91	9.45	8xØ0.91	11.22	9.50	8xØ0.87	0.47	11.02	5.51	¼" BSP	1.57	¾" BSP	23.90	8.43	SK373.1F	974
175	0.19	6.89	10.63	8xØ0.91	12.40	-	-	0.55	12.99	6.50	¼" BSP	2.09	1" BSP	24.69	9.21	SK373.1F	1328
200	0.37	7.87	11.61	8xØ0.91	13.50	11.75	8xØ0.87	0.55	15.35	7.68	¼" BSP	2.56	1¼" BSP	27.91	10.28	SK573.1F	1859
250	0.67	9.84	13.78	12xØ0.91	15.98	14.25	12xØ1.00	0.63	17.72	8.86	¼" BSP	2.95	1¼" BSP	28.90	11.26	SK573.1F	2523
300	1.20	11.81	15.75	12xØ0.91	19.02	17.00	12xØ1.00	0.83	21.26	10.63	¾" BSP	3.74	1½" BSP	31.38	13.54	SK573.1F	3629
350	2.05	13.78	18.11	16xØ0.91	20.87	18.75	12xØ1.13	1.02	25.98	12.99	¾" BSP	4.41	1½" BSP	33.54	14.92	SK673.1F	4959

\* Standard pre-drilled for cast iron

Technical modifications are possible, dimensions in inches.