



GRANULAR AIRLOCK – GL

The GL rotary valves are specially designed for gravity feeding and pneumatically conveying of granular products. The configuration of the body and rotor has been developed specifically to minimise degradation while retaining the best possible pocket filling efficiency.

Available sizes and capacity

Size GL	150	200	250	300	350
Capacity* LTR/REV.	5	10	17.5	32	79

*Capacity per revolution at 100% filling



Specifications

- ▶ Maximum protection against product degradation
- ▶ High filling efficiency
- ▶ Large air vent openings
- ▶ Robust construction
- ▶ Available with direct drive or chain-drive
- ▶ Flanges drilled in accordance with PN 10, ANSI 150 lbs
- ▶ ATEX 2014/34/EU certification available

Product Information

The GL rotary valves are available in 3 different body configurations: all stainless steel, stainless body with aluminium end covers, and all aluminium. The aluminium configuration is anodised.

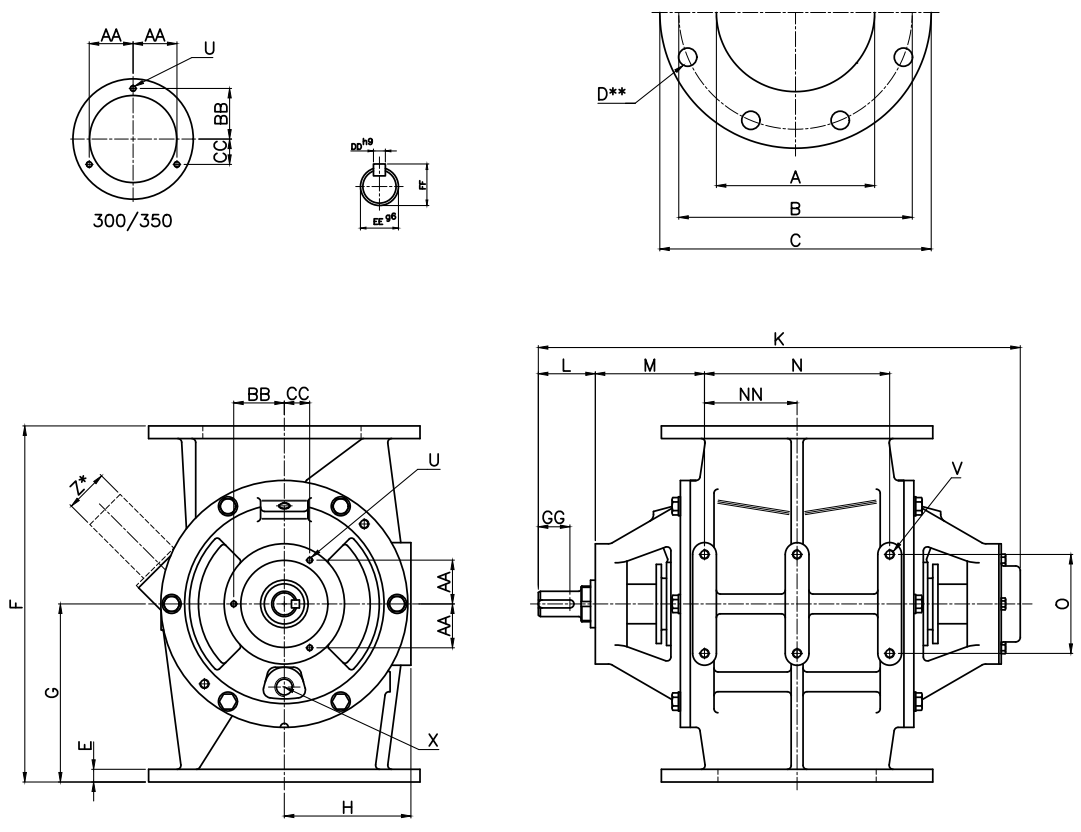
The full end disc rotor is 316 stainless steel. The end covers have outriggered ball bearings and the shaft sealed with gland packings. The construction of the inlet minimises chopping of the product.

The standard models are suitable for handling products up to a temperature of +150°C and a maximum pressure difference of 1,5 bar. Other options are available on request.

Application

The GL is suitable for the following industries:

- ▶ Plastics
- ▶ Animal feed



TYPE		DIN				ANSI		E	F	G	H	K	I	M	N	NN	O
GL	Ltr/rev	ØA	ØB	D	ØC	ØB	D										
150	5	150	240	8xØ23	285	241.3	8xØ22,2	12	360	180	130	524	60	125	190	-	100
200	10	200	295	8xØ23	343	298.4	8xØ22,2	16	450	225	160	609	72	138	234	-	125
250	17.5	250	350	12xØ23	406	361.9	12xØ25,4	18	500	250	190	659	72	138	284	142	125
300	32	300	400	12xØ23	483	431.8	12xØ25,4	23	600	300	225	763	74	150	360	180	125
350	79	350	460	16xØ23	530	476.2	12xØ28,6	28	750	375	295	883	74	155	470	235	125

TYPE											
GL	U	V	X	Z*	AA	BB	CC	DD	ØEE	FF	GG
150	3xM6	4xM10	¾"	Ø48,3x2	37.1	52.5	37.1	8	30	33	35
200	3xM8	4xM12	½"	Ø60,3x2	55.4	64	32	10	32	35	43
250	3xM8	6xM12	½"	Ø76,1x2	55.4	64	32	10	32	35	43
300	3xM10	6xM12	¾"	Ø88,9x2	73.6	85	42.5	10	38	41	44
350	3xM10	6xM12	¾"	Ø88,9x2	73.6	85	42.5	10	38	41	44

* Option: vent pipe

Technical modifications are possible, dimensions in mm.