



BLOWING SEAL – BL/BXL/BXXL DAIRY

The BL/BXL/BXXL Dairy rotary valves are suitable for industries where stringent standards apply. The Dairy valves have an official USDA certificate of acceptance for use in dairy plants and are optionally available conforming to the EC 1935/2004 directive.

The construction of the valve is designed to avoid bacteriological contamination. All product contact surfaces are in food-grade material and smoothly polished.

The BL/BXL/BXXL Dairy valves are optionally available in MZC execution with supporting rails for easy removal of the end

cover and rotor without damaging the housing. The MZC valves are easily detachable within minutes.

Available sizes and capacity

Size BL	150	175	200	250	300	350
Size BXL		200	250	300	350	
Size BXXL					350	
Capacity* FT ³ /REV.	0.09	0.19	0.37	0.67	1.20	2.05

*Capacity per revolution at 100% filling



Specifications

- ▶ USDA Dairy accepted
- ▶ EC1935/2004 conformity available
- ▶ Easy removal of the rotor for fast and efficient cleaning
- ▶ Smooth product contact surfaces in food-grade material
- ▶ Rotor pockets radiused and polished to Ra=0,8 µm (150 grit)
- ▶ Rotor vanes chamfered on all edges
- ▶ ATEX Autonomous Protective System (APS) certification available
- ▶ ATEX 2014/34/EU certification available
- ▶ EHEDG Type ED class II certification available

Product Information

The body and end covers are AISI 316 stainless steel (DIN 1.4408). The rotor is AISI 316L stainless steel (DIN 1.4404). For special applications, internal and external mirror polishing of the valve is possible.

For the BL/BXL/BXXL valves, tri-clamp connections on blow through channel are also available. The shaft sealing utilizes gland packing or air purge.

The standard models are suitable for temperatures up to +302°F and pressure up to 29 PSI.

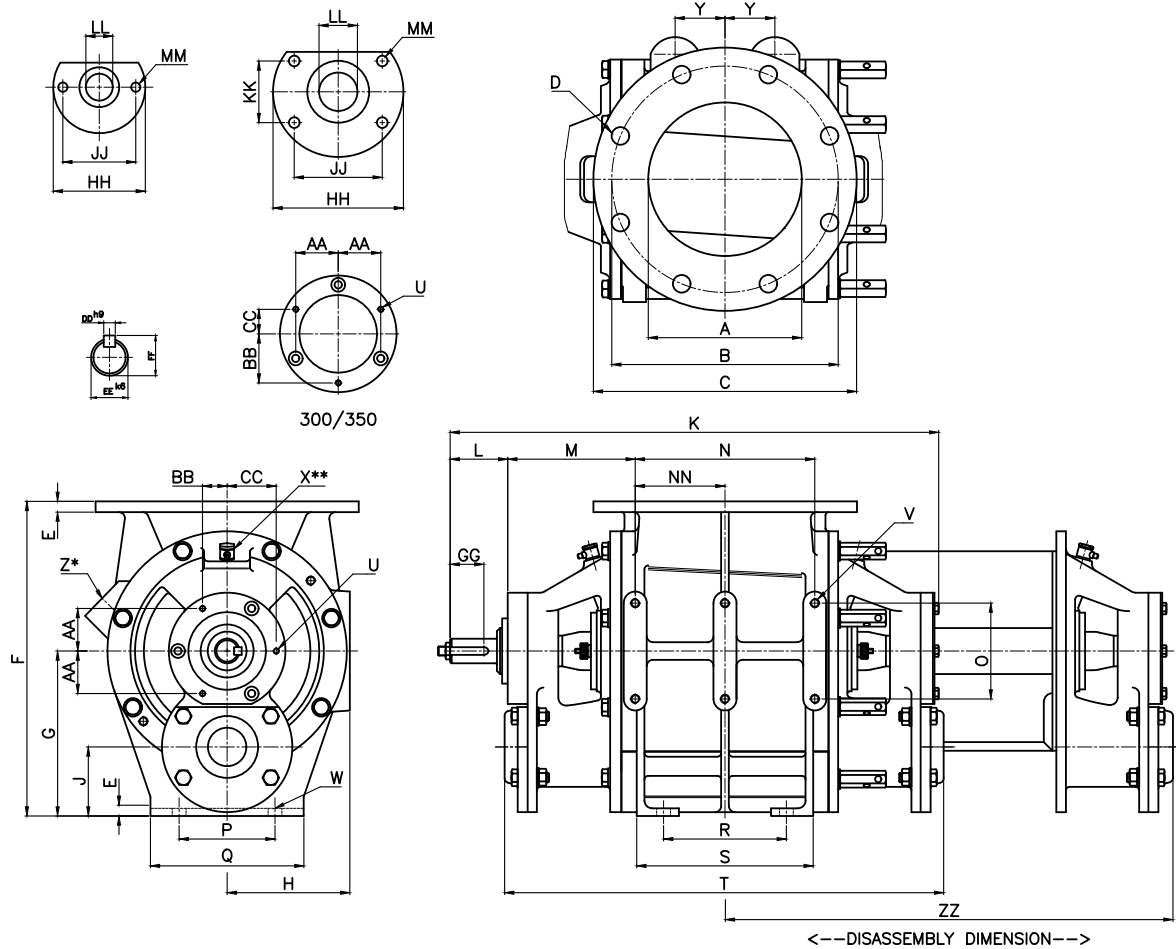
ATEX Autonomous Protective System (APS) certified configurations are available up to 145 PSI.

Application

The BL/BXL/BXXL Dairy is suitable for the following industries:

- ▶ Plastics
- ▶ Food
- ▶ Pet food
- ▶ Dairy
- ▶ Cosmetics
- ▶ Batteries
- ▶ Pharmaceutical
- ▶ Infant formula
- ▶ Chemicals

Continued on next page ▶▶



300/350

←--DISASSEMBLY DIMENSION-->

BXL DAIRY

BXL DAIRY

TYPE		DIN											ANSI															
BL	BXL	Ft ³ /rev	ØA	ØB	D	ØC	ØB	D	E	F	H	ØA	ØB	D	ØC	ØB	D	E	F	H	G	J	K	L	M	N	NN	O
150		0.09	5.91	9.45	8xØ0.91	11.22	9.50	8xØ0.87	0.47	11.61	4.33							11.61		6.10	2.56	20.51	2.83	5.94	5.75	-	3.94	
175	200	0.19	6.89	10.63	8xØ0.91	12.40	-	-	0.55	13.39	5.12	7.87	11.61	8xØ0.91	13.50	11.75	8xØ0.87	0.55	13.39	6.50	6.89	2.95	22.09	2.83	5.87	7.48	-	3.94
200	250	0.37	7.87	11.61	8xØ0.91	13.50	11.75	8xØ0.87	0.55	16.14	6.30	9.84	13.78	12xØ0.91	15.98	14.25	12xØ1.00	0.63	16.14	7.78	8.46	3.54	25.43	3.31	6.54	9.21	-	4.92
250	300	0.67	9.84	13.78	12xØ0.91	15.98	14.25	12xØ1.00	0.63	18.50	7.48	11.81	15.75	12xØ0.91	19.02	17.00	12xØ1.00	0.83	18.50	8.76	9.65	3.94	27.40	3.31	6.54	11.18	5.59	4.92
300	350	1.20	11.81	15.75	12xØ0.91	19.02	17.00	12xØ1.00	0.83	22.24	8.86	13.78	18.11	16xØ0.91	20.87	18.75	12xØ1.13	0.83	18.27	8.86	11.61	4.72	31.65	3.15	7.28	14.17	7.09	4.92
350		2.05	13.78	18.11	16xØ0.91	20.87	18.75	12xØ1.13	1.02	26.18	10.63							26.18		13.19	5.20	34.41	3.15	7.48	16.54	8.27	4.92	

TYPE		P	Q	R	S	T	U	V	W	X**	Y	Z*	AA	BB	CC	DD	EE	FF	GG	HH	JJ	KK	LL	LL MAX	MM	ZZ
150		4.33	5.51	3.94	6.06	18.19	3xM6	4xM10	4xØ0.47 1/4" BSP (Ø10)	1.57	UNEF 1 1/8"	1.46	1.46	2.07	0.31	1.18	1.30	1.38	4.72	3.74	-	1.38	1.97	2xØ0.47	21.26	
175	200	5.12	6.30	5.12	7.48	19.76	3xM6	4xM10	4xØ0.55 1/4" BSP (Ø10)	2.09	UNEF 1 1/8"	1.46	1.46	2.07	0.31	1.18	1.30	1.38	5.51	4.09	2.38	1.97	2.56	4xØ0.47	23.62	
200	250	6.30	7.87	6.30	9.06	22.52	3xM8	4xM12	4xØ0.71 1/4" BSP (Ø10)	2.56	UNEF 1 1/8"	2.18	1.26	2.52	0.39	1.26	1.38	1.69	6.69	4.52	3.16	1.97	3.15	4xØ0.55	27.56	
250	300	6.69	8.27	7.87	10.79	24.49	3xM8	6xM12	4xØ0.71 1/4" BSP (Ø10)	2.95	UNEF 1 1/8"	2.18	1.26	2.52	0.39	1.26	1.38	1.69	7.48	4.92	3.94	2.76	3.94	4xØ0.55	30.51	
300	350	7.48	9.45	10.24	13.78	28.50	3xM10	6xM12	4xØ0.91 1/4" BSP (Ø10)	3.74	UNEF 1 1/8"	2.90	3.35	1.67	0.39	1.50	1.61	1.73	9.06	6.45	4.52	3.94	4.92	4xØ0.55	36.02	
350		8.66	10.63	12.20	16.14	31.26	3xM10	6xM12	4xØ0.91 1/4" BSP (Ø10)	4.41	UNEF 1 1/8"	2.90	3.35	1.67	0.39	1.50	1.61	1.73	9.61	5.98	5.98	4.92	5.91	4xØ0.55	39.37	

BXXL DAIRY

TYPE		DIN											ANSI					
BXXL	Ft ³ /rev	ØA	ØB	D	ØC	ØB	D	E	F	G	H	J	K	L	M	N	NN	O
350	0.67	13.78	18.11	16xØ0.91	20.87	17.75	12xØ1.13	1.02	21.06	9.65	8.76	3.94	27.40	3.31	6.54	11.18	5.59	4.92

TYPE		P	Q	R	S	T	U	V	W	X**	Y	Z*	AA	BB	CC	DD	EE	FF	GG	HH	JJ	KK	LL	LL MAX	MM	ZZ
350		6.69	8.27	7.87	10.79	24.49	3xM8	6xM12	4xØ0.71 1/4" BSP (Ø10)	2.95	UNEF 1"	2.18	1.26	2.52	0.39	1.26	1.38	1.69	7.48	4.92	3.94	2.76	3.94	4xØ0.55	30.51	

* Standard pre-drilled for cast iron

** Air purge connection

Technical modifications are possible, dimensions in inches.