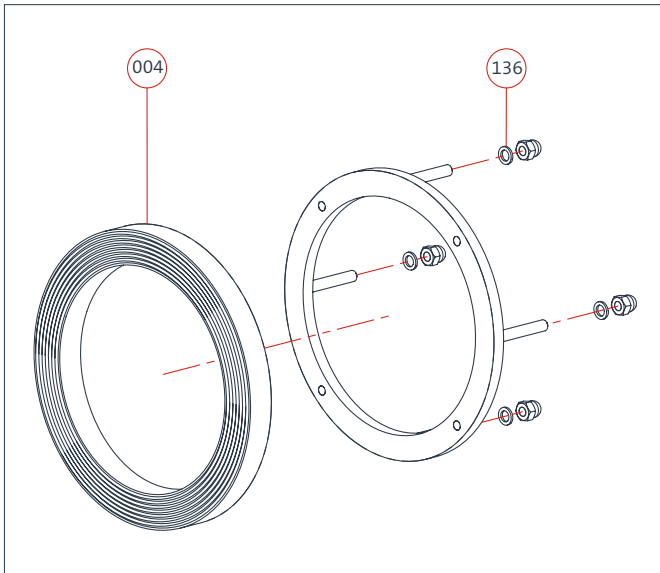
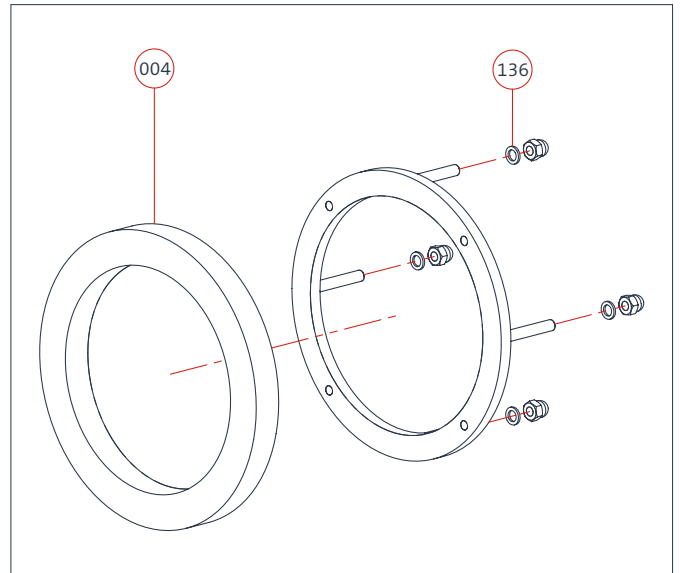


# RECOMMENDED SPARE PARTS **M-TDV**

## SPARE PARTS STANDARD



## SPARE PARTS DAIRY



POSITION NUMBER	DESCRIPTION	QUANTITY PER PORT*	40	50	65	80	100	125	150
136	Seal M5 Polyamide	4	00350382	00350382	00350382	00350382	00350382	00350382	00350382
004	Inflatable seal TDV Standard	1	29174124	29174126	29174128	29174130	29174132	29174134	29174136
004	Inflatable seal TDV Dairy	1	29174144	29174146	29174148	29174150	29174152	29174154	29174156

\* Quantities are specified per port connection. For the total required, multiply by the number of tube connections on both sides of the valve