



SINGLE PIPE PLUG DIVERTER – SPTDS

The SPTDS single pipe plug diverter is specially designed to route powders and pellets with minimum degradation in pneumatic conveying systems.

Precision machining, proper sealing, and an obstruction-free internal geometry guarantee a smooth passage of product.

The user-friendly foolproof design enables quick on-site internal examination, cleaning and, when necessary, replacement of seals.

The design of the SPTDS plug diverter conforms to all current legislation regarding safety in the workplace. Consequently, there are no moving parts on the outside.

Available sizes

Size SPTDS	50	65	80	100	125
------------	----	----	----	-----	-----



Specifications

- ▶ Universal application
- ▶ Sizes from NB 50 up to 125
- ▶ Pressure up to 1 barg
- ▶ Maximum product temperature +80°C
- ▶ For diverting only
- ▶ Static sealing
- ▶ No moving parts on the outside
- ▶ ATEX 2014/34/EU certification available
- ▶ EC1935/2004 conformity available

Product Information

The SPTDS is user friendly, pressure shock resistant, and with standard static seals suitable for pressures up to 1 barg.

The SPTDS plug diverter consists of an aluminium housing and end covers in which a plug with a single straight pipe is installed. All product contact surfaces are stainless steel AISI 316L/DIN 1.4404. Optionally the product contact surfaces can be anodized aluminium.

The SPTDS is supplied with a complete electro-pneumatic control system, including solenoids and switchbox.

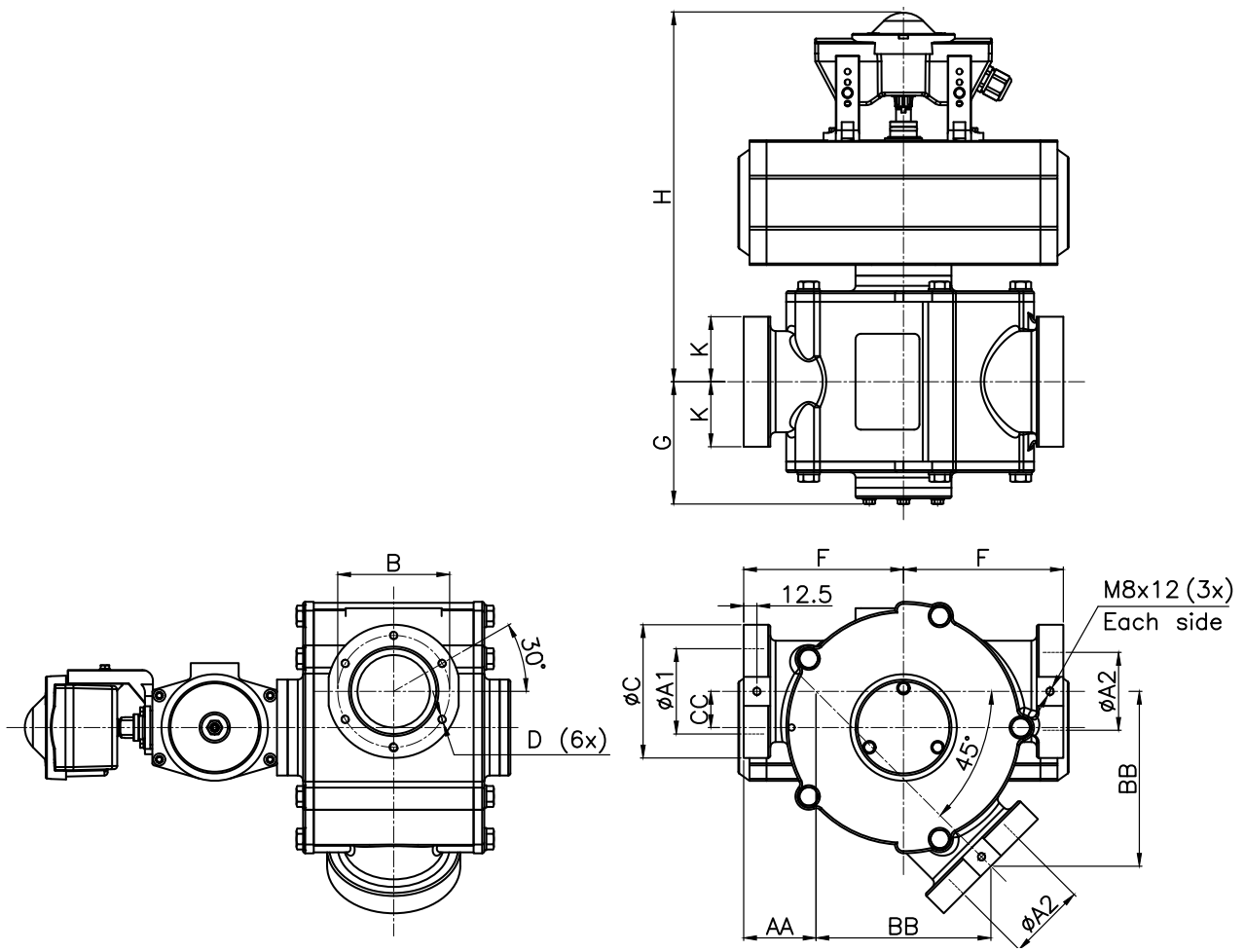
Two EC 1935/2004 and FDA compliant silicone seals guarantee the sealing between housing and plug. The body is pressure-tight, thus ensuring no leakage to the atmosphere. The plug diverter is suitable for product temperatures ranging from -25°C up to +80°C at ambient temperatures of of -10°C up to +40°C.

Application

The SPTDS is suitable for the following industries:

- ▶ Plastics
- ▶ Food
- ▶ Pet food
- ▶ Animal feed
- ▶ Pharmaceutical
- ▶ Chemicals
- ▶ Tires
- ▶ Biomass
- ▶ Cosmetics
- ▶ Paint
- ▶ Minerals
- ▶ Recycling
- ▶ Batteries

Continued on next page ▶▶



TYPE	$\phi A1^*$	$\phi A2^*$	ϕB	D	ϕC	F	G	H	K	A4	BB	CC
SPTDS												
50	50	47.8	95	M8x12	110	140	107.5	340	53	65.2	151.9	31
65	65	60.5	95	M8x12	110	140	107.5	340	53	65.2	151.9	31
80	80	72.1	110	M8x12	125	150	115	347	61	67.9	164.1	34
100	100	97.6	135	M10x15	155	170	125	357	76	78.3	185.1	38
125	125	125	160	M10x15	180	175	142	375	88	78.4	192	40

* Inside diameter of pipe

Technical modifications are possible, dimensions in mm