

# BALL TYPE DIVERTER – BTD

The BTD ball type diverter is specifically designed to converge or diverge abrasive products in pneumatic conveying systems. The diverter is also suitable for systems having relatively high pressures and temperatures, e.g., thermoelectric power stations (coal and fuel oil ash), incinerators, foundries, and cement, glass, ceramic, limestone, gypsum and chemical factories.

The diverter can be used for both diverting and converging. When diverting the product itself provides the wear surface

(most common application). When converging, the impact area of the product on the diverter has been considerably strengthened (see dimensional drawing). The BTD is made from ductile spheroidal cast iron.

### Available sizes

Size BTD	65	80	100	125	150	200	250
----------	----	----	-----	-----	-----	-----	-----



### Specifications

- ▶ For abrasive products
- ▶ Suitable for systems with high pressures and temperatures
- ▶ Body made from ductile spheroidal cast iron
- ▶ Replaceable wear bushings on the outlet
- ▶ Grease lubricated shaft seals
- ▶ Seals are replaceable with the valve in place
- ▶ Pressure range from -0.5 up to 6 barg
- ▶ Temperature range from -10 up to +80°C
- ▶ ATEX 2014/34/EU certification available

### Product Information

The design of the diverter ensures that the higher the positive pressure, the tighter the seal. This is the result of the ball and seal being pushed firmly into its seating. The seals can be replaced with the valve in place by removing the two side covers.

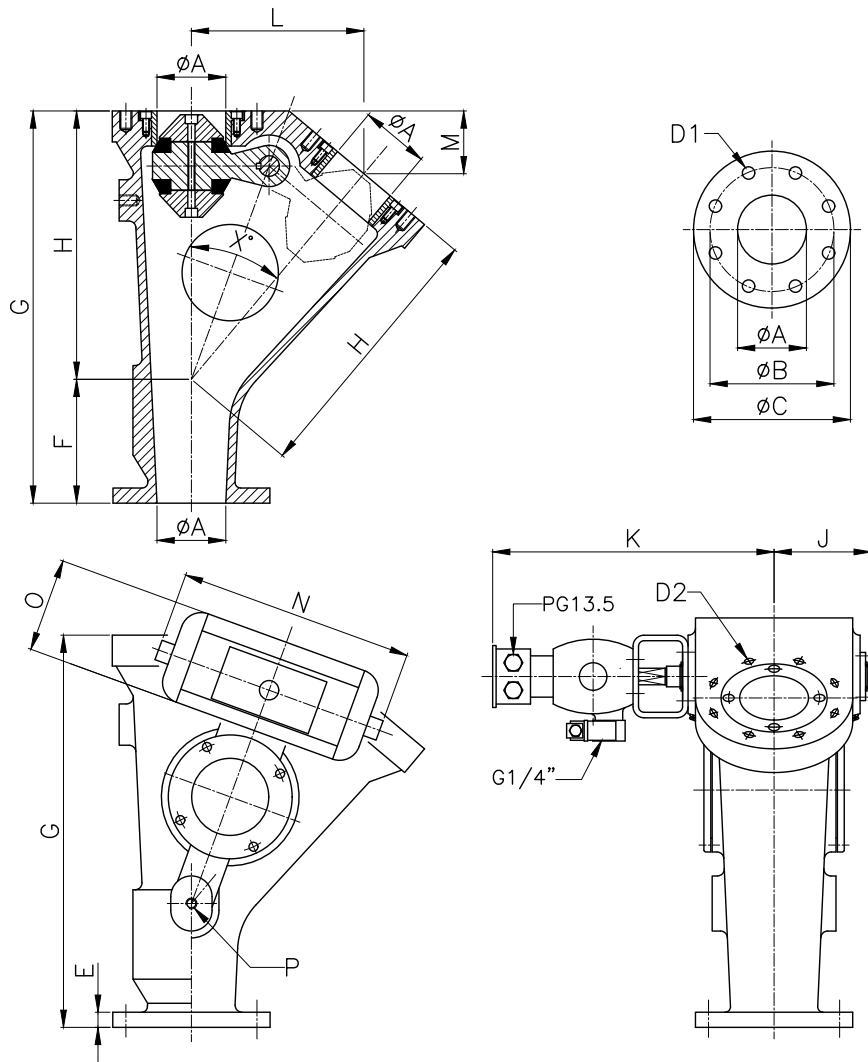
The valve operates using a double-acting pneumatic actuator with a 5/2 double-acting solenoid and position confirmation switch.

The BTD diverter can be used in systems with positive pressures up to 6 barg and negative pressures up to -0.5 barg. The standard configuration can be used for temperatures from -10 up to +80°C — higher temperatures upon request.

### Application

The BTB is suitable for the following industries:

- ▶ Plastics
- ▶ Biomass
- ▶ Paint
- ▶ Minerals
- ▶ Recycling
- ▶ Batteries
- ▶ Tires



TYPE	PN 10				ANSI 150 LBS				E	F
	ØA	ØB	ØD1	ØC	ØB	ØD1	ØD2			
65	65	145	4xØ18	185	139.7	4xØ19	4x M16x25	18	95	
80	80	160	8xØ18	200	152.4	4xØ19	*x M16x25	20	140	
100	100	180	8xØ18	228.6	190.5	8xØ19	8x M16x25	22	180	
125	125	210	8xØ18	255	215.9	8xØ22,2	8x M16x25	24	225	
150	150	240	8xØ22	285	241.3	8xØ22,2	8x M16x25	24	240	
200	200	295	8xØ22	340	298.4	8xØ22,2	8x M16x25	25	160	
250	250	350	12xØ22	407	361.9	12xØ25,4	12x M20x35	30	170	

Flange connection:  
 Pn 10 or Ansi 150 lbs  
 \* 8 holes for Pn 10, 4  
 holes for AnSi 150 lbs

TYPE	G	H	J	K	L	M	N	O	P	X°	Weight
65	550	455	130	395	228	61	310	105	M16x20	30°	68 kg
80	500	360	135	400	232	84	310	105	M16x20	40°	77 kg
100	570	390	145	425	250	91	380	120	M16x25	40°	100 kg
125	700	475	165	470	305	111	450	140	M20x25	40°	155 kg
150	780	540	175	480	347	126	450	140	M20x20	40°	208 kg
200	810	650	200	515	418	152	520	150	M20x25	40°	300 kg
250	850	680	260	630	437	159	640	170	M20x30	40°	450 kg

Technical modifications are possible, dimensions in mm.