

DUST LOCK – DL

The DL dust lock is of a design dedicated for filter applications. It can be used with dust filters, cyclones, product separators and dosing systems. The universal flanges are on both sides of the valve are drilled to PN 10 and can be used for round-round, square-square and square-round connections.

The inlet of the valve is square, therefore accommodating both round and square outlets from the vessel that has to be discharged. The angle of the inlet down to the rotor has been kept as steep as possible, to reduce the chance of bridging. The outlet from the valve is round, so that one can discharge into either a round or square connection.

Available sizes and capacity

Size DL	200	250	300
Capacity* LTR/REV.	6	8.5	19

*Capacity per revolution at 100% filling



Specifications

- ▶ Minimum air leakage
- ▶ Rotors are available with adjustable polyurethane or fixed chamfered mild steel blades
- ▶ Suitable for both round and square counter flanges
- ▶ Ex stock delivery for standard executions
- ▶ Flameproof versions available
- ▶ ATEX Autonomous Protective System (APS) certification available
- ▶ ATEX 2014/34/EU certification available

Product Information

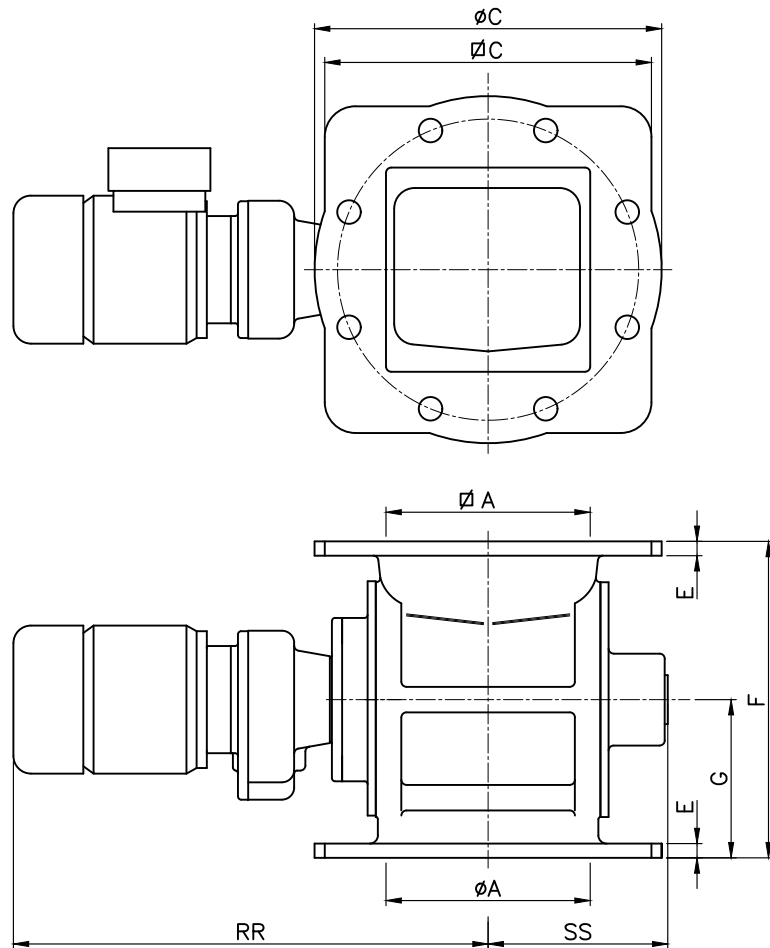
The DL valve has a very large inlet and a direct drive, providing ample torque to drive the rotor, which has 6 or 8 replaceable and adjustable polyurethane or fixed vanes mild steel blades.

The standard drive is a Nord inline drive, SEW drives are available on request. The standard model is suitable for handling products up to a temperature of +70°C and a maximum pressure differential up to 0,5 bar, depending on the model. The valves are also pressure shock resistant.

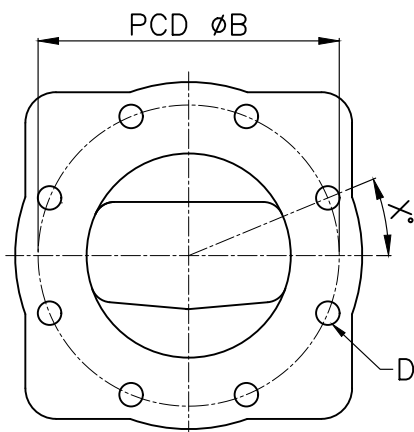
Application

The DL is suitable for the following industries:

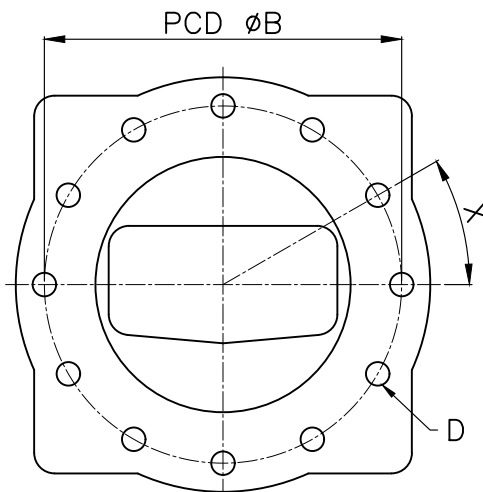
- ▶ Food
- ▶ Plastics
- ▶ Chemicals
- ▶ Minerals
- ▶ Recycling
- ▶ Batteries



DL 200



DL 250 – DL 300



TYPE													
DL	Ltr/rev	$\varnothing A$	$\varnothing A$	$\varnothing B$	$\varnothing C$	$\varnothing C$	D	E	F	G	X	RR	SS
200	6	200	200	295	340	320	8x $\varnothing 23$	14	310	155	22,5°	465	176
250	8.5	250	250	350	406	370	12x $\varnothing 23$	15	325	162.5	30°	485	196
300	19	300	300	400	483	445	12x $\varnothing 23$	21	420	210	30°	556	230

Technical modifications are possible, dimensions in mm.