



BLOWING SEAL – BL/BXL/BXXL MZC

The MZC rotary valves have proven themselves to be very successful in sanitary applications (Dairy execution) as well as many other applications.

The unit is equipped with an easily detachable rotor which can be removed within minutes to facilitate thorough inspection and cleaning. The extraction mechanism offers a high degree of operator safety and gives the line operators considerable flexibility in cleaning and maintaining the equipment between runs. Moreover, the stability of the extraction mechanism ensures that the rotor can be easily moved in and out of the housing without damaging the housing or the rotor blades.

The configuration with direct drive has a very narrow construction, especially in the blow through (BL) version, where the conveying line passes underneath the drive. The direct drive, in conjunction with a frequency inverter, results in a very flexible, safe, and maintenance-friendly unit (no chains or grease).

The product line also includes USDA Dairy accepted models and versions conforming to the EC 1935/2004 directive for sanitary use in the food and pharmaceutical industry: the types Dairy MZC with supporting rails for easy removal of rotor and end cover. These stainless steel valves are easily detachable in a few minutes and meet the highest hygienic standards. The BXL valves are specially designed for applications where inlet size is more important than capacity and is generally used for products with poor flowability. These valves have an enlarged inlet and are available in 316 stainless steel and aluminium.

Available sizes and capacity

| | | | | | | |
|-----------|-----|-----|-----|-----|-----|-----|
| Size BL | 150 | 175 | 200 | 250 | 300 | 350 |
| Size BXL | | 200 | 250 | 300 | 350 | |
| Size BXXL | | | | 350 | | |

| | | | | | | |
|--------------------|-----|-----|------|----|----|----|
| Capacity* LTR/REV. | 2.5 | 5.5 | 10.5 | 19 | 34 | 58 |
|--------------------|-----|-----|------|----|----|----|

*Capacity per revolution at 100% filling



Specifications

- ▶ Supporting rails for easy removal of rotor and end cover
- ▶ Direct drive or chain drive
- ▶ Narrow, flexible and maintenance-friendly construction with direct drive
- ▶ Hygienic, USDA Dairy accepted versions
- ▶ EC1935/2004 conformity available
- ▶ Increased safety at work
- ▶ Special blow through versions for cyclone or spray drier applications
- ▶ Versions with enlarged inlet available
- ▶ ATEX 2014/34/EU certification available
- ▶ ATEX Autonomous Protective System (APS) certification available

Product Information

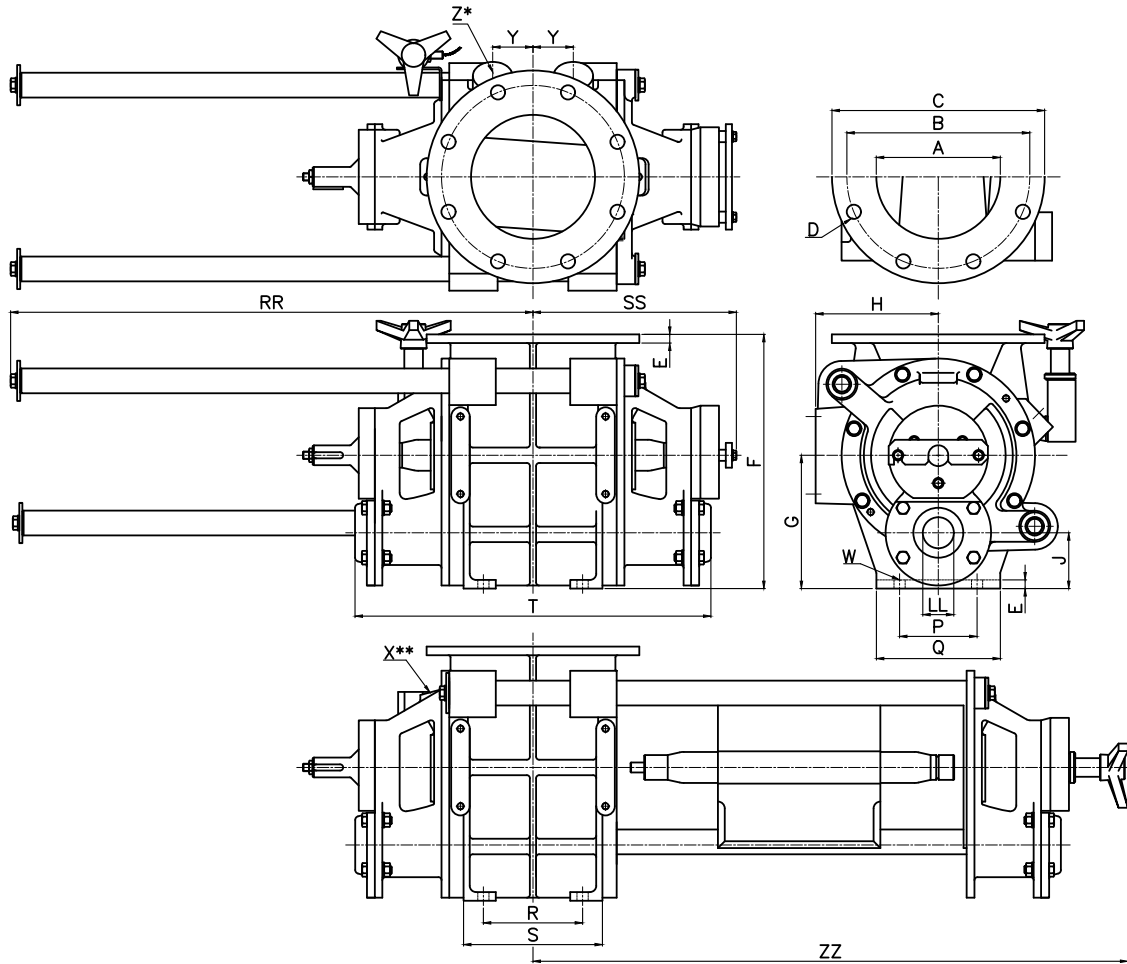
The MZC valves are supplied in 316 stainless steel and aluminium. The standard rotor has 9 blades. Various rotor configurations are available, such as adjustable or fixed blades, reduced capacity, scalloped fixed vaned, end disc etc. The end covers have outboard bearing, lubricated and sealed for life. Shaft seals are available with gland packing or lipseal and optional air purge.

The standard models are suitable for temperatures up to +150°C and pressure up to 2 barg. ATEX Autonomous Protective System (APS) certified configurations are available up to 10 barg.

Application

The BL/BXL/BXXL MZC is suitable for the following industries:

- ▶ Food
- ▶ Dairy
- ▶ Animal feed
- ▶ Infant formula
- ▶ Cosmetics
- ▶ Pet food
- ▶ Pharmaceutical
- ▶ Aquaculture
- ▶ Paint



BL MZC

BXL MZC

| TYPE | | | | DIN | | | ANSI | | | DIN | | | ANSI | | | | | | |
|------|-----|---------|-----|-----|--------|-----|-------|----------|----|-----|-----|--------|------|-------|----------|----|-----|-----|-------|
| BL | BXL | Ltr/rev | ØA | ØB | D | ØC | ØB | D | E | ØA | ØB | D | ØC | ØB | D | E | F | G | H |
| 150 | | 2,5 | 150 | 240 | 8xØ23 | 285 | 241,3 | 8xØ22,2 | 12 | | | | | | | | 295 | 155 | 143 |
| 175 | 200 | 5,5 | 175 | 270 | 8xØ23 | 315 | - | - | 14 | 200 | 295 | 8xØ23 | 343 | 298,4 | 8xØ22,2 | 14 | 340 | 175 | 165 |
| 200 | 250 | 10,5 | 200 | 295 | 8xØ23 | 343 | 298,4 | 8xØ22,2 | 14 | 250 | 350 | 12xØ23 | 406 | 361,9 | 12xØ25,4 | 16 | 410 | 215 | 197,5 |
| 250 | 300 | 19 | 250 | 350 | 12xØ23 | 406 | 361,9 | 12xØ25,4 | 16 | 300 | 400 | 12xØ23 | 483 | 431,8 | 12xØ25,4 | 21 | 470 | 245 | 222,5 |
| 300 | 350 | 34 | 300 | 400 | 12xØ23 | 483 | 431,8 | 12xØ25,4 | 21 | 350 | 460 | 16xØ23 | 530 | 476,2 | 12xØ28,6 | 21 | 565 | 295 | 225 |
| 350 | | 58 | 350 | 460 | 16xØ23 | 530 | 476,2 | 12xØ28,6 | 26 | | | | | | | | 665 | 335 | 270 |

| TYPE | | | | | | | | | | | | | | | | | | | |
|------|-----|-----|-----|-----|-----|-----|-------|-----|-----------|-----|------|-----------|-----|-----|-----|--------|------|-----|------|
| BL | BXL | J | P | Q | R | S | W | X** | X** Dairy | Y | Z* | Z* Dairy | T | LL | T | LL Max | RR | SS | ZZ |
| 150 | | 65 | 110 | 140 | 100 | 154 | 4xØ12 | ¼" | ¼"(Ø10) | 40 | ¾" | UNEF 1 ½" | 462 | 35 | 420 | 50 | 651 | 274 | 895 |
| 175 | 200 | 75 | 130 | 160 | 130 | 190 | 4xØ14 | ¼" | ¼"(Ø10) | 53 | 1" | UNEF 1 ½" | 502 | 50 | 460 | 65 | 631 | 294 | 875 |
| 200 | 250 | 90 | 160 | 200 | 160 | 230 | 4xØ18 | ¼" | ¼"(Ø10) | 65 | 1 ¼" | UNEF 1 ½" | 572 | 50 | 534 | 80 | 853 | 329 | 1107 |
| 250 | 300 | 100 | 170 | 210 | 200 | 274 | 4xØ18 | ¼" | ¼"(Ø10) | 75 | 1 ¼" | UNEF 1 ½" | 622 | 70 | 584 | 80 | 853 | 329 | 1082 |
| 300 | 350 | 120 | 190 | 240 | 260 | 350 | 4xØ23 | ⅜" | ¼"(Ø10) | 92 | 1 ½" | UNEF 1 ½" | 724 | 100 | 684 | 125 | 890 | 405 | 1153 |
| 350 | | 132 | 220 | 270 | 310 | 410 | 4xØ23 | ⅜" | ¼"(Ø10) | 112 | 1 ½" | UNEF 1 ½" | 794 | 125 | 754 | 150 | 1055 | 440 | 1315 |

BXXL MZC

| TYPE | | | | DIN | | | ANSI | | | | | |
|------|---------|-----|-----|--------|-----|-------|----------|----|-----|-----|-------|--|
| BXXL | Ltr/rev | ØA | ØB | D | ØC | ØB | D | E | F | G | H | |
| 350 | 19 | 350 | 460 | 16xØ23 | 530 | 476,2 | 12xØ28,6 | 26 | 535 | 245 | 222,5 | |

| TYPE | | | | | | | | | | | | | | | | | | | |
|------|-----|-----|-----|-----|-----|-------|-----|-----------|----|------|-----------|-----|----|-----|--------|-----|-----|------|--|
| BXXL | J | P | Q | R | S | W | X** | X** Dairy | Y | Z* | Z* Dairy | T | LL | T | LL Max | RR | SS | ZZ | |
| 350 | 100 | 170 | 210 | 200 | 274 | 4xØ18 | ¼" | ¼"(Ø10) | 75 | 1 ¼" | UNEF 1 ½" | 622 | 70 | 622 | 80 | 853 | 329 | 1082 | |

* Standard pre-drilled for cast iron

** Air purge connection

Technical modifications are possible, dimensions in mm.