



AIRLOCK – AML

The AML rotary valves are suitable for many applications in the metering and pneumatic conveying of products in powder and granular form. The AML valves can also act as a transition piece from round to square and vice versa.

The AML valve range also includes USDA Dairy accepted models and versions conforming to the EC 1935/2004 directive for sanitary use in the food and pharmaceutical industry. These stainless steel valves are easily detachable in a few minutes and meet the highest hygienic standard.

Available sizes and capacity

Size AML	100	150	200	250	300	350	400
Capacity* FT ³ /REV.	0.03	0.09	0.19	0.37	0.67	1.20	2.05

*Capacity per revolution at 100% filling



Specifications

- ▶ Minimum air leakage
- ▶ High filling efficiency
- ▶ Sheared angle inlet
- ▶ Drilled flanges in accordance with PN10, ANSI 150lbs
- ▶ Easy detachable versions available
- ▶ Large inlet size in relation to rotor volume
- ▶ Body with one round and one square flange
- ▶ Usable as transition piece from round to square and vice versa
- ▶ ATEX Autonomous Protective System (APS) certification available
- ▶ ATEX 2014/34/EU certification available
- ▶ Customised solutions
- ▶ EC1935/2004 conformity available

Product Information

The valves are available in two materials of construction: stainless steel and cast iron. The cast iron valves are also available nickel or chrome-plated or Tungsten coated.

The standard rotor has 9 blades. Various rotor configurations are available, such as adjustable or fixed blades, reduced capacity, scalloped fixed vaned, end disc etc. The end covers have outboard bearing, lubricated and sealed for life. Shaft seals are available with gland packing or lipseal and optional air purge.

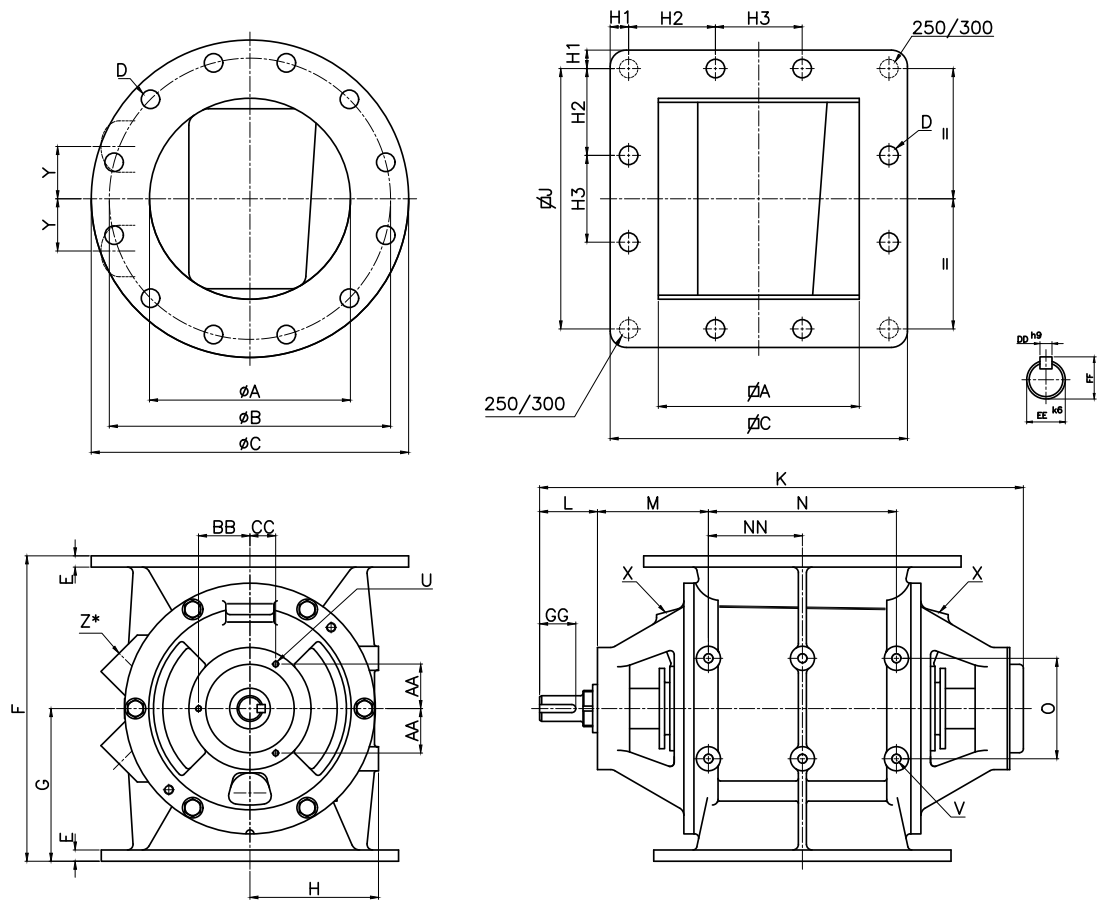
The standard models are suitable for products up to a temperature of +302°F and a maximum pressure differential of 29 PSI. Special configurations are available to accommodate temperatures between -328°F and +1112°F. Pressure shock resistant up to 145 PSI and explosion-proof models are also available. All models offer optimum venting through large vent holes, which are drilled to order.

Application

The AML is suitable for the following industries:

- ▶ Plastics
- ▶ Food
- ▶ Pet food
- ▶ Animal feed
- ▶ Pharmaceutical
- ▶ Infant formula
- ▶ Chemicals
- ▶ Biomass
- ▶ Aquaculture
- ▶ Dairy
- ▶ Cosmetics
- ▶ Paint
- ▶ Minerals
- ▶ Recycling
- ▶ Batteries
- ▶ Tires

Continued on next page ▶▶



TYPE																			
AML	FT ³ /rev	ØA	A	ØB	ØC	C	D	E	F	G	H1	H2	H3	J	K	L	M	N	NN
100	0.03	3.94	3.94	6.69	8.27	6.89	4xØ0,71	0.43	6.69	3.35	0.79	5.31	-	5.31	12.91	2.05	3.31	3.54	-
175	0.09	5.91	5.91	9.45	11.22	10.51	8xØ0,91	0.43	10.83	5.43	3.46	3.62	-	8.74	19.06	2.36	5.00	5.75	2.87
200	0.19	7.87	7.87	11.61	13.39	12.60	8xØ0,91	0.55	12.80	6.42	4.09	4.45	-	10.75	20.63	2.36	4.92	7.48	3.74
250	0.37	9.84	9.84	13.78	15.55	14.57	12xØ0,91	0.55	14.96	7.48	0.91	4.25	4.25	12.76	23.98	2.83	5.43	9.21	4.61
300	0.67	11.81	11.81	15.75	19.02	17.52	12xØ0,91	0.83	17.72	8.86	1.22	5.04	5.04	15.12	25.94	2.83	5.43	11.18	5.59
350	1.20	13.78	13.78	18.11	20.87	20.87	16xØ0,91	0.83	21.26	10.63	4.29	4.09	4.09	18.11	30.04	2.91	5.91	14.17	7.09
400	2.05	15.75	15.75	20.28	23.43	23.43	16xØ1,02	1.02	25.98	12.99	4.92	4.53	4.53	20.28	32.80	2.91	6.10	16.54	8.27

TYPE													
AML	O	U	V	W	Y	Z*	AA	BB	CC	DD	EE	FF	GG
100	2.95	3xM6	4xM10	3.54	-	-	-	1.38	1.38	0.31	0.98	1.10	1.69
175	3.94	3xM6	4xM10	4.33	1.57	¼" BSP	1.46	2.07	1.46	0.31	1.18	1.30	1.42
200	3.94	3xM6	6xM10	5.12	2.09	1" BSP	1.46	2.07	1.46	0.31	1.18	1.30	1.42
250	4.92	3xM8	6xM12	6.30	2.56	1¼" BSP	2.18	2.52	1.26	0.39	1.26	1.38	1.73
300	4.92	3xM8	6xM12	7.48	2.95	1¼" BSP	2.18	2.52	1.26	0.39	1.26	1.38	1.73
350	4.92	3xM10	6xM12	8.86	3.74	1½" BSP	2.90	3.35	1.67	0.39	1.50	1.61	1.77
400	4.92	3xM10	6xM12	10.63	4.41	1½" BSP	2.90	3.35	1.67	0.39	1.50	1.61	1.77

* Standard pre-drilled for cast iron

Technical modifications are possible, dimensions in inches.