

MZC-I DAIRY AL/AXL BL/BXL BXXL

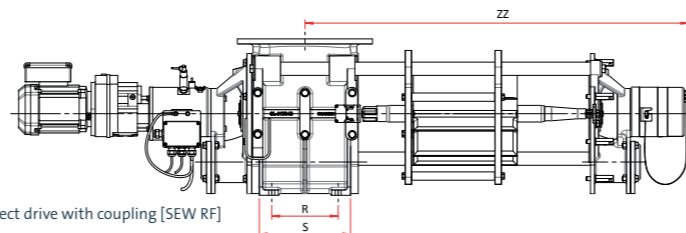
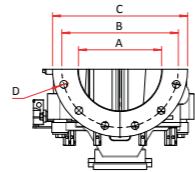
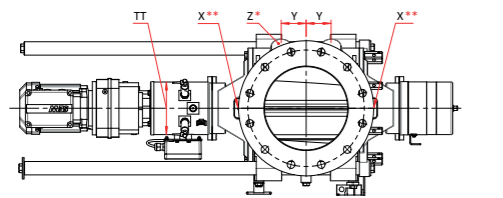
DMN
WESTINGHOUSE



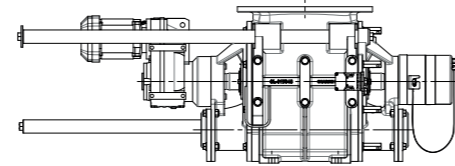
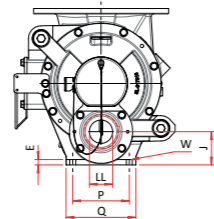
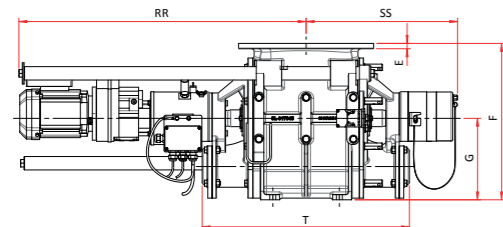
THE FUTURE STANDARD FOR SAFETY,
HYGIENE AND CLEANABILITY

FUTURE-PROOF VALUE SINCE 1950

BL/BXL TYPE



Direct drive with coupling [SEW RF]



Direct drive [SEW FAZ]

BL
Blow through rotary valve

BXL
Blow through rotary valve with an enlarged inlet. Designed for products with poor flowability

THE MZC-I ROTARY VALVES OFFER YOU:

- Unprecedented cleanability
- Easier and safer maintenance than ever before
- Applications for a broad range of industries
- Cleaning In Place (CIP): the rotor remains in position during cleaning
- Additional safety through an integrated emergency safety switch
- Efficient use of space with one-sided opening
- Various drive options



* By default not pre-drilled
 ** Air purge connection
 Technical modifications are possible, dimensions in inches.

BL	BXL	Ft ² /rev	DIN				ANSI				DIN				ANSI				X**	Y	Z*	LL	LL max.	RR	SS	TT	ZZ	Type SEW	≥in-lbs							
			ØA	ØB	D	ØC	ØB	D	E	ØA	ØB	D	ØC	ØB	D	E	F	G												J	P	Q	R	S	T	W
150		0.09	5.91	9.45	8XØ0.91	11.22	9.50	8xØ7/8"	0.47							11.61	6.10	2.56	4.33	5.51	3.94	6.06	18.19	4xØ0.47	1/4" BSP (Ø0.39")	1.57	UNEF 1 1/8"	1.38	1.97	29.92	14.76	4.72	36.42	RF37	974	
175	200	0.19	6.89	10.63	8XØ0.91	12.40	----	----	0.55	7.87	11.61	8XØ0.91	13.50	11.75	8xØ7/8"	0.55	13.39	6.89	2.95	5.12	6.30	5.12	7.48	19.76	4xØ0.55	1/4" BSP (Ø0.39")	2.09	UNEF 1 1/8"	1.97	2.56	30.71	15.35	4.72	37.60	RF37	1328
200	250	0.37	7.87	11.61	8XØ0.91	13.50	11.75	8xØ7/8"	0.55	9.84	13.78	12XØ0.91	15.98	14.25	12xØ 1"	0.63	16.14	8.46	3.54	6.30	7.87	6.30	9.06	22.52	4xØ0.71	1/4" BSP (Ø0.39")	2.56	UNEF 1 1/8"	1.97	3.15	33.46	17.13	6.30	44.88	RF47 / FAZ47	1859
250	300	0.67	9.84	13.78	12XØ0.91	15.98	14.25	12xØ 1"	0.63	11.81	15.75	12XØ0.91	19.02	17.00	12xØ 1"	0.83	18.50	9.65	3.94	6.69	8.27	7.87	10.79	24.49	4xØ0.71	1/4" BSP (Ø0.39")	2.95	UNEF 1 1/8"	2.76	3.94	34.06	18.11	6.30	45.47	RF47 / FAZ47	2522
300	350	1.20	11.81	15.75	12XØ0.91	19.02	17.00	12xØ 1"	0.83	13.78	18.11	16XØ0.91	20.87	18.75	12xØ1 1/8"	1.02	22.24	11.61	4.72	7.48	9.45	10.24	13.78	28.50	4xØ0.91	1/4" BSP (Ø0.39")	2.95	UNEF 1 1/8"	3.94	4.92	42.91	23.62	7.87	58.27	RF57 / FAZ57	3629
350		2.05	13.78	18.11	16XØ0.91	20.87	18.75	12xØ1 1/8"	1.02							26.18	13.19	5.22	8.66	10.63	12.20	15.98	31.26	4xØ0.91	1/4" BSP (Ø0.39")	4.41	UNEF 1 1/8"	4.92	5.91	45.47	25.00	7.87	60.83	RF57 / FAZ57	4956	

BL MZC-I

BXL MZC-I

CONTACT

For more information and other inquiries, please contact us via our sales teams or distributors. You can find the complete list of distributors at dmnwestinghouse.com/distributors.

THE NETHERLANDS

DMN-WESTINGHOUSE

+31 252 361 800
sales@dmnwestinghouse.com

FRANCE

DMN FRANCE SAS

+33 1 69 49 85 70
contact.fr@dmnwestinghouse.com

UK

DMN UK LTD

+44 1249 818 400
dmn.uk@dmnwestinghouse.com

GERMANY

DMN SGT GMBH

+49 4181 931 40
dmn.sgt@dmnwestinghouse.com

USA

DMN INC.

+1 870 733 9100
sales.us@dmnwestinghouse.com

INDIA

DMN INDIA PRIVATE LIMITED

+91 9940482573
india@dmnwestinghouse.com

BXXL TYPE

BXXL

Blow through rotary valve with an extra enlarged inlet. Designed for products with poor flowability

BXXL	Ft ² /rev	DIN			ANSI			E	F	G	J	P	Q	R	S	T
		ØA	ØB	D	ØC	ØB	D									
350	0.67	13.78	18.11	16xØ0.91	20.87	18.75	12xØ1 1/8"	1.02	21.06	9.65	3.94	6.69	8.27	7.87	10.79	24.49

BXXL	W	X**	Y	Z*	LL	LL max.	RR	SS	TT	ZZ	Type SEW	≥in-lbs
350	4xØ0.71	1/4" BSP (Ø0.39")	2.95	UNEF 1 1/8"	2.76	3.94	34.06	18.11	6.30	45.47	RF47 / FAZ47	2522

MZC-II DAIRY **AL/AXL** **BL/BXL** **BXXL**

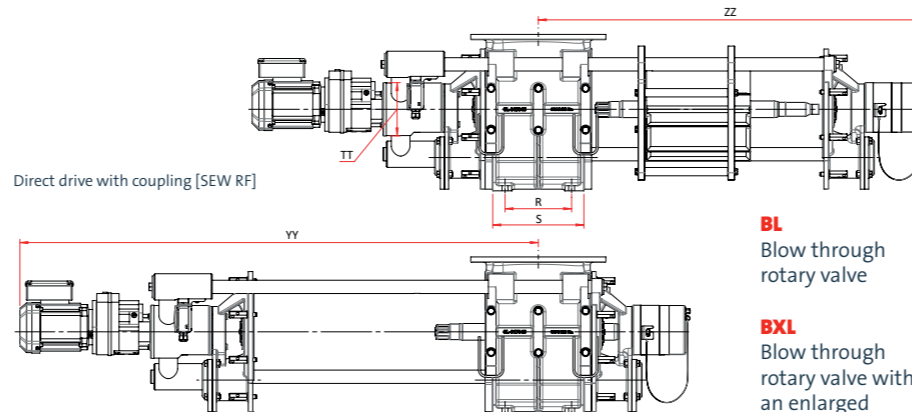
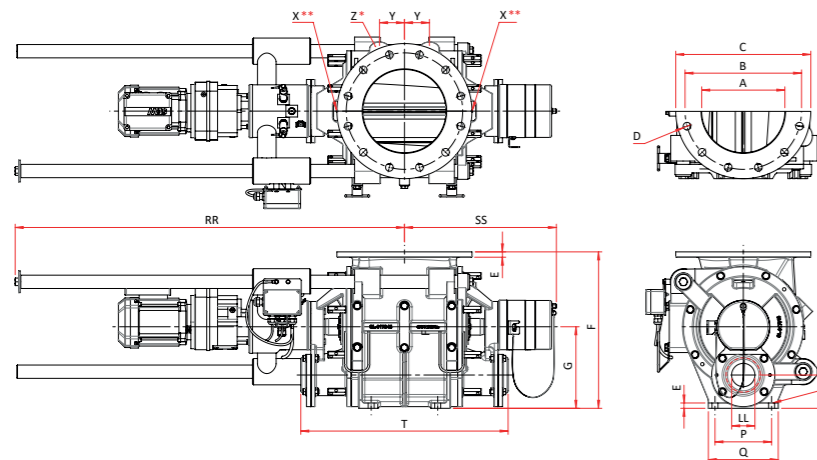
DMN
WESTINGHOUSE



THE FUTURE STANDARD FOR SAFETY,
HYGIENE AND CLEANABILITY

FUTURE-PROOF VALUE SINCE 1950

BL/BXL TYPE



Direct drive with coupling [SEW RF]

BL
Blow through rotary valve

BXL
Blow through rotary valve with an enlarged inlet. Designed for products with poor flowability

THE MZC-II ROTARY VALVES OFFER YOU:

- Opens on two sides for unprecedented easy access and superior cleanability
- Easier and safer maintenance than ever before
- Applications for a broad range of industries
- Cleaning In Place (CIP): the rotor remains in position during cleaning
- Additional safety through an integrated emergency safety switch
- Only a direct drive is offered, to allow for ease of opening and cleaning



* By default not pre-drilled
 ** Air purge connection
 Technical modifications are possible, dimensions in inches.

BL	BXL	Ft ² /rev	DIN			ANSI			DIN			ANSI			F	G	J	P	Q	R	S	T	W	X**	Y	Z*	LL	LL max.	RR	SS	TT	YY	ZZ	Type SEW	≥in-lbs		
			ØA	ØB	D	ØB	D	E	ØA	ØB	D	ØB	D	E																							
150		0.09	5.91	9.45	8xØ0.91	11.22	9.50	8xØ7/8"	0.47																												
175	200	0.19	6.89	10.63	8xØ0.91	12.40	---	---	0.55	7.87	11.61	8xØ0.91	13.50	11.75	8xØ7/8"	0.55	13.39	6.89	2.95	5.12	6.30	5.12	7.48	19.76	4xØ0.55	1/4" BSP (Ø0.39")	2.09	UNEF 1 1/8"	1.97	2.56	37.99	15.55	4.72	52.95	37.80	RF37	1328
200	250	0.37	7.87	11.61	8xØ0.91	13.50	11.75	8xØ7/8"	0.55	9.84	13.78	12xØ0.91	15.98	14.25	12xØ 1"	0.63	16.14	8.46	3.54	6.30	7.87	6.30	9.06	22.52	4xØ0.71	1/4" BSP (Ø0.39")	2.56	UNEF 1 1/8"	1.97	3.15	43.11	17.13	6.30	58.46	42.52	RF47	1859
250	300	0.67	9.84	13.78	12xØ0.91	15.98	14.25	12xØ 1"	0.63	11.81	15.75	12xØ0.91	19.02	17.00	12xØ 1"	0.83	18.50	9.65	3.94	6.69	8.27	7.87	10.79	24.49	4xØ0.71	1/4" BSP (Ø0.39")	2.95	UNEF 1 1/8"	2.76	3.94	46.06	18.11	6.30	61.42	45.47	RF47	2522
300	350	1.20	11.81	15.75	12xØ0.91	19.02	17.00	12xØ 1"	0.83	13.78	18.11	16xØ0.91	20.87	18.75	12xØ1 1/8"	1.02	22.24	11.61	4.72	7.48	9.45	10.24	13.78	28.50	4xØ0.91	1/4" BSP (Ø0.39")	3.74	UNEF 1 1/8"	3.94	4.92	54.53	23.62	7.87	72.05	56.10	RF57	3629
350		2.05	13.78	18.11	16xØ0.91	20.87	18.75	12xØ1 1/8"	1.02							26.18	13.19	5.22	8.66	10.63	12.20	15.98	31.26	4xØ0.91	1/4" BSP (Ø0.39")	4.41	UNEF 1 1/8"	4.92	5.91	58.66	25.00	7.87	76.18	60.24	RF57	4956	
BL MZC-II									BXL MZC-II																												

CONTACT

For more information and other inquiries, please contact us via our sales teams or distributors. You can find the complete list of distributors at dmnwestinghouse.com/distributors.

THE NETHERLANDS

DMN-WESTINGHOUSE

+31 252 361 800
sales@dmnwestinghouse.com

FRANCE

DMN FRANCE SAS

+33 1 69 49 85 70
contact.fr@dmnwestinghouse.com

UK

DMN UK LTD

+44 1249 818 400
dmn.uk@dmnwestinghouse.com

GERMANY

DMN SGT GMBH

+49 4181 931 40
dmn.sgt@dmnwestinghouse.com

USA

DMN INC.

+1 870 733 9100
sales.us@dmnwestinghouse.com

INDIA

DMN INDIA PRIVATE LIMITED

+91 9940482573
india@dmnwestinghouse.com

BXXL TYPE

BXXL

Blow through rotary valve with an extra enlarged inlet. Designed for products with poor flowability

BXXL	Ft ² /rev	DIN				ANSI				E	F	G	J	P	Q	R	S	T
		ØA	ØB	D	ØC	ØB	D											
350	0.67	13.78	18.11	12xØ0.91	20.87	18.75	12xØ1 1/8"	1.02	21.06	9.65	3.94	6.69	8.27	7.87	10.79	24.49		

BXXL	W	X**	Y	Z*	LL	LL max.	RR	SS	TT	YY	ZZ	Type SEW	≥In-lbs
350	4xØ0.71	1/4" BSP (Ø0.39")	2.95	UNEF 1 1/8"	2.76	3.94	46.06	18.11	6.30	61.42	45.47	RF47	2522