



SINGLE PIPE PLUG DIVERTER – SPTD

The SPTD single pipe plug diverter is designed to route powders and pellets with minimum degradation in pneumatic conveying systems.

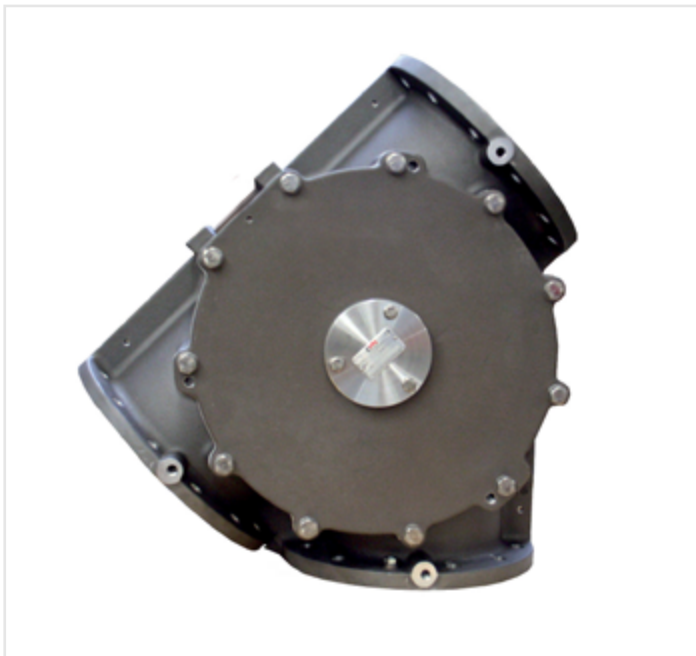
Precision machining, proper sealing, and an obstruction-free internal geometry guarantee a smooth passage of product.

The user-friendly foolproof design enables quick on-site internal examination, cleaning and, when necessary, replacement of seals.

The design of the SPTD plug diverter conforms to all current legislation regarding safety in the workplace. Consequently, there are no moving parts on the outside.

Available sizes

Size SPTD 150 200 250 300 350 400



Specifications

- ▶ Universal application
- ▶ Sizes from 150 mm up to 400 mm (6" to 16")
- ▶ Pressure up to 43.5 PSI
- ▶ Maximum product temperature +176°F for standard models
- ▶ For diverting only
- ▶ Static or inflatable seals
- ▶ No moving parts on the outside
- ▶ Various options available
- ▶ Pressure shock resistant up to 145 PSI
- ▶ ATEX 2014/34/EU certification available
- ▶ EC1935/2004 conformity available

Product Information

The SPTD is user-friendly, pressure shock resistant, and with standard static seals suitable for pressures up to 43.5 PSI. All sizes are optionally available with inflatable seals.

The SPTD plug diverter consists of an aluminium housing and end covers in which a plug with a single straight pipe is installed. All product contact surfaces are stainless steel AISI 316L/DIN 1.4404. Optionally the product contact surfaces can be anodized aluminium.

The SPTD is supplied with a complete electro-pneumatic control system, including solenoids and inductive position sensors. Two EC 1935/2004 and FDA compliant silicone seals guarantee the sealing between housing and plug. The body is pressure-tight, thus ensuring no leakage to the atmosphere.

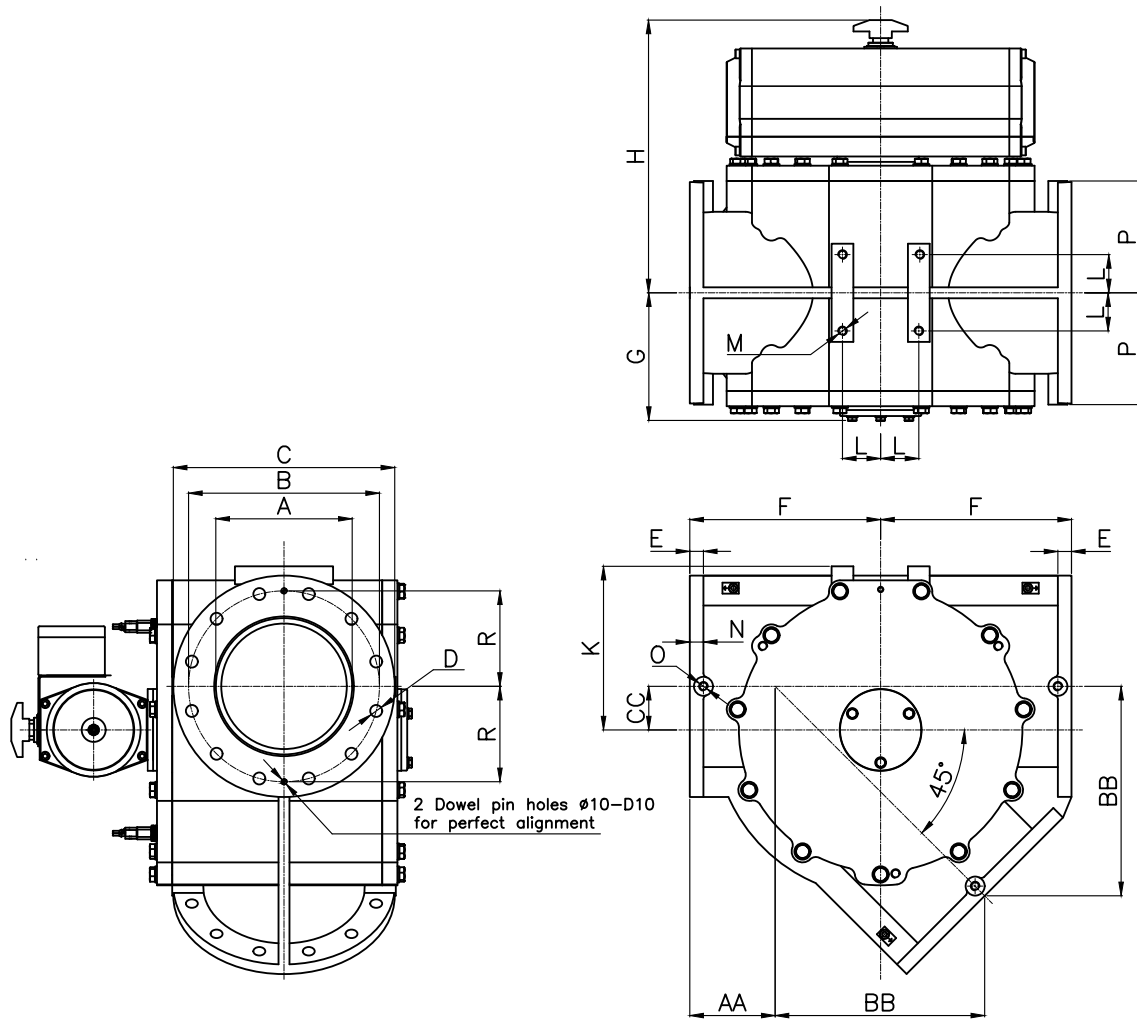
The plug diverter is suitable for product temperatures ranging from -13°F up to +176°F at ambient temperatures of +14°F up to +104°F.

Application

The SPTD is suitable for the following industries:

- ▶ Plastics
- ▶ Food
- ▶ Pet food
- ▶ Animal feed
- ▶ Chemicals
- ▶ Paint
- ▶ Minerals
- ▶ Recycling
- ▶ Batteries
- ▶ Tires
- ▶ Cosmetics
- ▶ Biomass

Continued on next page ▶▶



TYPE	ØA*	DIN			ANSI			E	F	G	H	K	L	M	N	O	P	AA	BB	CC
		ØB	D	ØC	ØB	D	D													
150	5.91	9.45	8xØ0.87	11.22	9.50	8xØ0.87	0.79	10.24	7.09	15.35	7.68	1.97	M16x24	0.79	M16x24	5.71	5.94	10.28	1.77	
162*	6.38																			
200	7.87	11.61	8xØ0.87	13.50	11.75	8xØ0.87	0.98	11.81	8.07	17.13	9.45	1.97	M16x24	0.98	M16x24	6.89	6.10	12.40	2.36	
213*	8.39																			
250	9.84	13.78	12xØ0.87	15.98	14.25	12xØ1.00	0.98	13.78	9.25	19.69	11.81	2.76	M16x24	0.98	M16x24	8.07	6.14	15.12	3.15	
267*	10.51																			
300	11.81	15.75	12xØ0.87	19.02	17.00	12xØ1.00	0.98	15.75	10.24	20.67	14.17	2.76	M16x24	0.98	M16x24	9.65	6.69	17.52	3.74	
318*	12.52																			
350	13.78	18.11	16xØ0.87	20.87	18.75	12xØ1.13	0.98	17.72	11.42	23.50	15.75	2.76	M16x32	0.98	M16x24	10.63	7.24	19.92	4.33	
400	15.75	20.28	16xØ0.87	23.43	21.25	16xØ1.13	0.98	20.67	12.40	24.49	17.72	2.76	M16x32	0.98	M16x24	11.81	8.78	23.03	4.92	

* Inside diameter of pipe

Technical modifications are possible, dimensions in inches.