



USDA



MULTI PORT TUBE DIVERTER – M-TDV

The M-TDV transports pneumatically conveyed products in powder or pellet form to or from multiple destinations (diverging or converging). The design guarantees a high positional accuracy with minimum parts. Available in sizes from 40 to 150 mm (1 1/2" to 6"), with up to 14 ports on the larger models i.e., smaller pipe sizes. The standard model would consist of the diverter unit and a pre-programmed compact controller with an on-board PLC.

The controller works with a binary code input from the customer's PLC.

The M-TDV range includes USDA Dairy accepted models.

Available sizes

Size M-TDV	40	50	65	80	100	120	150
------------	----	----	----	----	-----	-----	-----



Specifications

- ▶ USDA Dairy accepted versions available
- ▶ Up to 14 ports
- ▶ Inflatable seals
- ▶ All product contact materials FDA approved
- ▶ Smooth product contact surfaces
- ▶ Minimal product degradation
- ▶ Pressures -0,8 up to 3 barg
- ▶ Temperature range -20°C to +100°C
- ▶ Converging and diverging applications
- ▶ Compact design
- ▶ All stainless steel or aluminium/stainless steel configurations
- ▶ ATEX 2014/34/EU certification available

Product Information

All product contact surfaces are AISI 316 stainless steel. The inflatable seals are FDA approved white EPDM. The standard aluminium cover is suitable for most applications. An alternative AISI 316 stainless steel cover is also available.

The unit can be mounted either horizontally or vertically and driven by a geared motor, combined with an encoder which, together with the controller, guarantees very accurate alignment of the conveying lines.

A uniform, smooth bore pipe between the inlet and outlet allows a constant velocity, minimises pressure loss, reduces product degradation, and ensures clean purging. The seals are located outside of the product flow, inflate on position confirmation, and automatically deflate during switching. The indexing tube plate seals the unused ports.

The standard version is suitable in systems with pressures up to 3 barg.

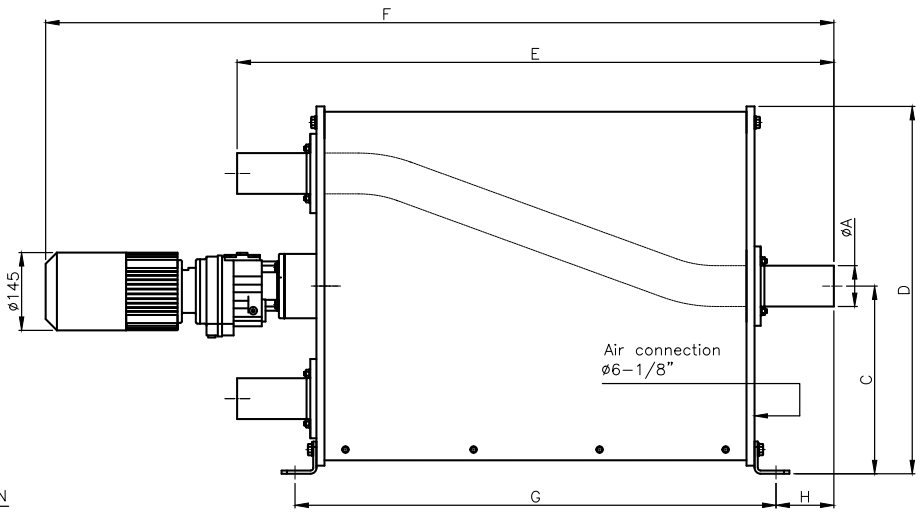
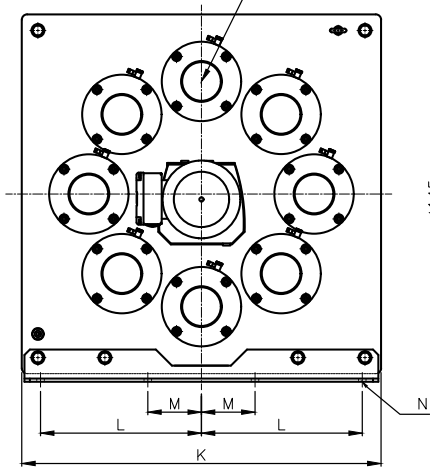
Application

The M-TDV is suitable for the following industries:

- ▶ Food
- ▶ Pharmaceutical
- ▶ Infant formula
- ▶ Chemicals
- ▶ Dairy
- ▶ Pet food
- ▶ Aquaculture
- ▶ Cosmetics
- ▶ Paint

Continued on next page ▶▶

X outlets ϕA
equispaced on B mm PCD.



	Size	ϕA	X	B	C	D	E	F	G	H	K	L	M	N
Module II	40	38,1x1,5	4-10	420	350	685	1113	1470	897	108	670	300	100	4 HOLES $\phi 14$
	50	50,8x1,5	4-9											
	65	63,5x1,5	4-8											
	80	76,1x1,5	4-8											
	100	101,6x2	4-7											
Module III	40	38,1x1,5	11-14	600	475	935	1383	1740	1167	108	920	400	150	4 HOLES $\phi 14$
	50	50,8x1,5	10-13											
	65	63,5x1,5	9-12											
	80	76,1x1,5	9-11											
	100	101,6x2	8-10											
	125	129x2	4-8											
	150	154x2	4-7											

* Standard pre-drilled for cast iron

Technical modifications are possible, dimensions in mm.