



AIRLOCK – AL/AXL MZC

The MZC rotary valves have proven to be very successful in sanitary applications (Dairy execution) and many other metering and pneumatic conveying applications.

The unit is equipped with an easily detachable rotor which can be removed within minutes to facilitate thorough inspection and cleaning. The extraction mechanism offers a high degree of operator safety and gives line operators considerable flexibility in cleaning and maintaining the equipment between runs. Moreover, the stability of the extraction mechanism ensures that the rotor can be easily moved in and out of the housing without damaging the housing or the rotor blades.

The configuration with direct drive has a very narrow construction. The direct drive, in conjunction with a frequency inverter, results in a very flexible, safe, and maintenance-friendly unit (no chains or grease).

The product line also includes USDA Dairy accepted models and versions conforming to the EC 1935/2004 directive for sanitary use in the food and pharmaceutical industry: the types Dairy MZC with supporting bars for easy removal of rotor and end cover. These stainless steel valves are easy detachable in a few minutes and meet the highest hygienic standards.

Available sizes and capacity

Size AL	150	175	200	250	300	350
Size AXL		200	250	300	350	
Capacity* FT ³ /REV.	0.09	0.19	0.37	0.67	1.20	2.05

*Capacity per revolution at 100% filling



Specifications

- ▶ Supporting bars for easy removal of rotor and end cover
- ▶ Narrow, flexible, and maintenance-friendly construction with direct drive
- ▶ Hygienic, USDA Dairy accepted versions available
- ▶ EC1935/2004 conformity available
- ▶ Increased operator safety
- ▶ ATEX 2014/34/EU certification available
- ▶ ATEX Autonomous Protective System (APS) certification available

Product Information

The MZC valves are supplied in 316 stainless steel and cast iron. Variations such as chrome plating and Tungsten coating are equally available.

The standard rotor has 9 blades. Various rotor configurations are available, such as adjustable or fixed blades, reduced capacity, scalloped fixed vaned, end disc etc. The end covers have outboard bearing, lubricated and sealed for life. Shaft seals are available with gland packing or lipseal and optional air purge.

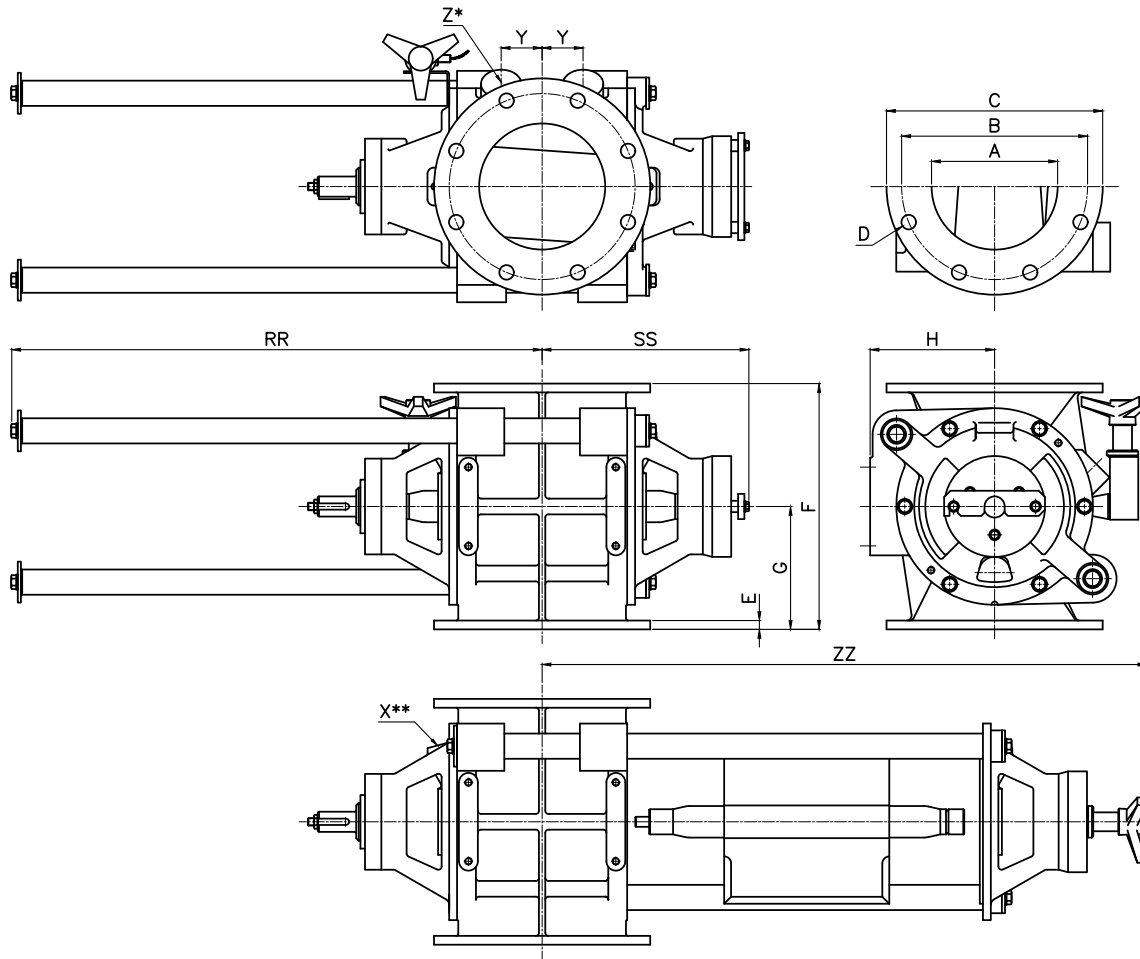
The standard models are suitable for temperatures up to +302°F and pressure up to 21.75 PSI. ATEX Autonomous Protective System (APS) certified configurations are available up to 145 PSI.

Application

The AL/AXL MZC is suitable for the following industries:

- ▶ Food
- ▶ Dairy
- ▶ Animal feed
- ▶ Infant formula
- ▶ Cosmetics
- ▶ Pet food
- ▶ Animal feed
- ▶ Pharmaceutical
- ▶ Paint

Continued on next page ▶▶



AL MZC

AXL MZC

TYPE		ft ³ /rev	DIN				ANSI			DIN				ANSI		
AL	AXL		ØA	ØB	D	ØC	ØB	D	E	ØA	ØB	C	ØC	ØB	D	E
150		0.09	5.91	9.45	8xØ0.81	11.22	9.50	8xØ0.78	0.47							
175	200	0.19	6.89	10.63	8xØ0.81	12.40	-	-	0.55	7.87	11.61	8xØ0.81	13.50	11.75	8xØ0.78	0.55
200	250	0.37	7.87	11.61	8xØ0.81	13.50	11.75	8xØ0.78	0.55	9.84	13.78	12xØ0.81	15.98	14.25	12xØ0.90	0.63
250	300	0.67	9.84	13.78	12xØ0.81	15.98	14.25	12xØ0.90	0.63	11.81	15.75	12xØ0.81	19.02	17.00	12xØ0.90	0.83
300	350	1.02	11.81	15.75	12xØ0.81	19.02	17.00	12xØ0.90	0.83	13.78	18.11	16xØ0.81	20.87	18.75	12xØ1.01	0.83
350		2.05	13.78	18.11	16xØ0.81	20.87	18.75	12xØ1.01	1.02							

TYPE		F	G	H	x**	X**Dairy	Y	Z*	Z*Dairy	RR	SS	ZZ
AL	AXL											
150		11.02	5.51	5.63	¼"	¼" BSP (Ø10)	1.57	¾"	UNEF 1½"	25.63	10.79	35.24
175	200	12.99	6.50	6.50	¼"	¼" BSP (Ø10)	2.09	1"	UNEF 1½"	24.84	11.57	34.45
200	250	15.35	7.68	7.78	¼"	¼" BSP (Ø10)	2.56	1 ¼"	UNEF 1½"	33.58	12.95	43.58
250	300	17.72	8.86	8.76	¼"	¼" BSP (Ø10)	2.95	1 ¼"	UNEF 1½"	32.60	13.94	42.60
300	350	21.26	10.63	8.86	¾"	¾" BSP (Ø10)	3.74	1 ¼"	UNEF 1½"	35.04	15.94	45.39
350		25.98	12.99	10.63	¾"	¾" BSP (Ø10)	4.41	1 ½"	UNEF 1½"	41.54	17.32	51.77

* Standard pre-drilled for cast iron

** Air purge connection

Technical modifications are possible, dimensions in inches.