



USDA



3 PORT TUBE DIVERTER – 3-TDV

The 3-TDV transports pneumatically conveyed products in powder or pellet form to or from 3 destinations (diverging or converging).

The 3-TDV is compactly designed and by using an additional line cylinder a very accurate tube positioning is achieved.

The diverters are designed to be easily removed from the line for cleaning (COP – cleaning out of place). It is also possible to purge the individual conveying lines with a cleaning liquid without removing the diverter from the line (CIP – cleaning in place). Removal from the line is only necessary when

a complete cleaning operation is required. This gives the customer the option to chose a cleaning method tailored to suit their process.

USDA Dairy accepted versions are available for applications with stringent hygienic requirements.

Available sizes and capacity

Size 3-TDV	40	50	65	80	100	125	150
------------	----	----	----	----	-----	-----	-----



Specifications

- ▶ USDA Dairy accepted versions available
- ▶ Smooth product contact surfaces
- ▶ Inflatable seals
- ▶ Pressure from -11.6 up to 43.5 PSI
- ▶ Multiple choice of line connections
- ▶ Minimised product degradation
- ▶ Converging and diverging applications
- ▶ Easy detachable construction
- ▶ Temperature range -4 °F up to +212 °F
- ▶ All stainless steel or aluminium/stainless steel configurations
- ▶ ATEX 2014/34/EU certification available

Product Information

The whole range of tube diverters (2-TDV, 3- TDV, and M-TDV) are of a sanitary design and have stainless steel AISI 316 product contact surfaces with a multiple choice of line connections, ranging from a simple pipe connection to a milk coupling. The swan neck pipe connecting the inlet to outlets is designed to provide minimum product degradation in both conveying directions.

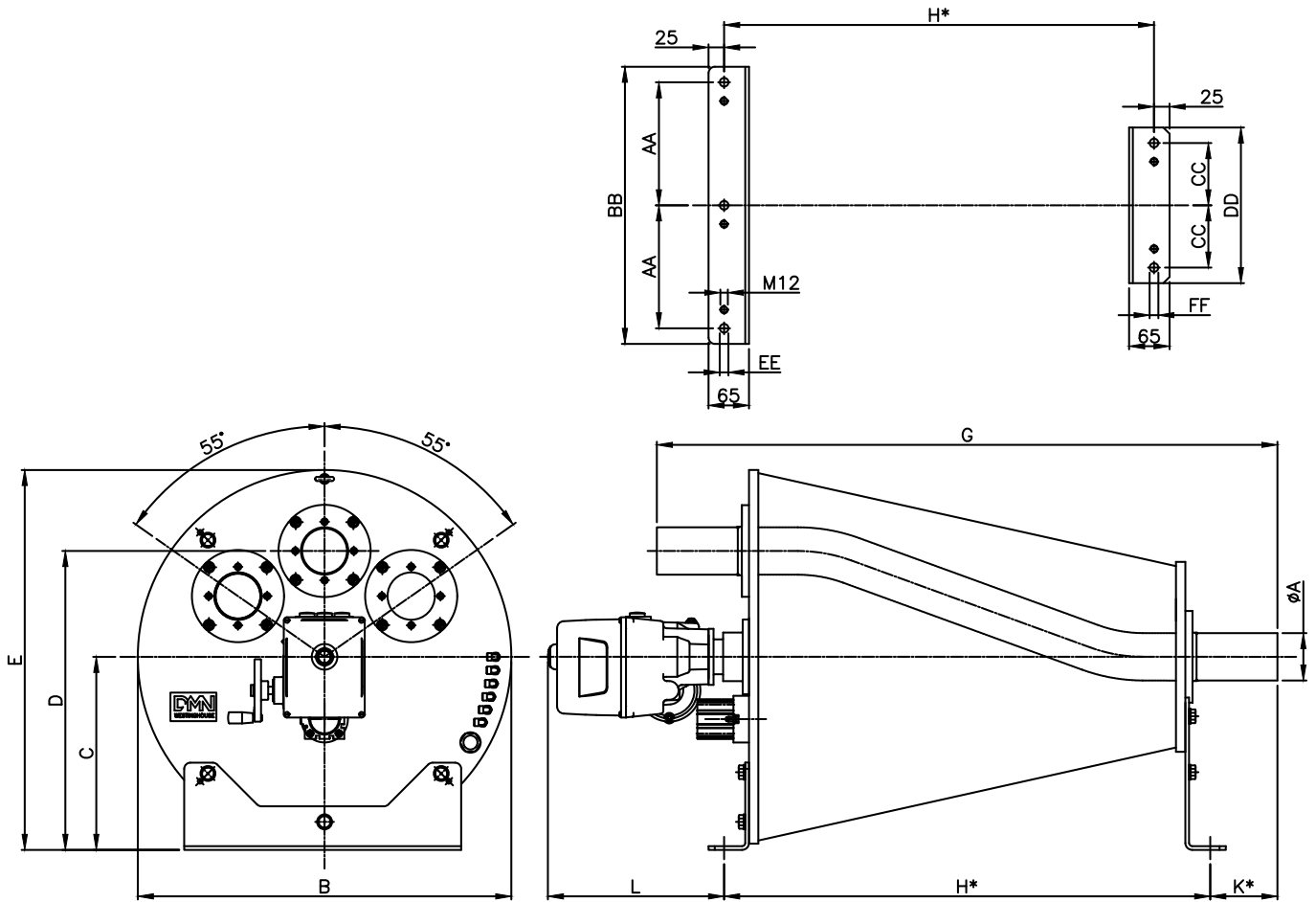
All conveying line connections that are not in use are sealed. This ensures that there will be no air or product leakage from ports that are not being used. The uniquely designed seal is made from white EPDM and is easy to fit and clean. Being inflatable guarantees tight sealing in the conveying line up to 43.5 PSI.

Application

The 3-TDV is suitable for the following industries:

- ▶ Food
- ▶ Dairy
- ▶ Pharmaceutical
- ▶ Aquaculture
- ▶ Infant formula
- ▶ Chemicals
- ▶ Pet food

Continued on next page ▶▶



TYPE							EXECUTION 2		EXECUTION 3								
	ØA	B	C	D	E	G	H	K	H	K	L	AA	BB	CC	DD	EE	FF
40	1,50x0,06	22.05	11.42	17.32	22.44	34.88	26.38	4.25	25.83	4.53	11.22	7.19	16.34	3.94	9.84	3xØ0.55	2xØ0.55
50	2,00x0,06	22.05	11.42	17.32	22.44	34.88	26.38	4.25	25.83	4.53	11.22	7.19	16.34	3.94	9.84	3xØ0.55	2xØ0.55
65	2,50x0,06	23.62	12.20	18.90	24.02	39.25	30.75	4.25	30.20	4.53	11.22	7.78	17.52	3.94	9.84	3xØ0.55	2xØ0.55
80	3,00x0,06	23.62	12.20	18.90	24.02	39.25	30.75	4.25	30.20	4.53	11.22	7.78	17.52	3.94	9.84	3xØ0.55	2xØ0.55
100	4,00x0,08	26.38	13.58	21.06	26.77	41.50	32.99	4.25	32.44	4.53	11.22	8.27	18.50	4.53	11.02	3xØ0.55	2xØ0.55
125	5,08x0,08	30.31	15.55	24.41	30.71	47.60	39.09	4.25	38.54	4.53	11.22	9.84	21.65	4.92	11.81	3xØ0.55	2xØ0.55
150	6,06x0,08	33.46	17.13	26.97	33.86	49.96	41.46	4.25	40.91	4.53	11.22	10.93	23.82	5.22	12.40	3xØ0.55	2xØ0.55

Technical modifications are possible, dimensions in inches.