

# AIRLOCK – USAL

The USAL rotary valves have been designed for many applications in the metering and pneumatic conveying of products in powder and granular form.

The USAL has square in-/outlet flanges. It has an enlarged inlet specifically designed for applications where inlet size is more important than capacity, or for handling products with poor flowability.

## Available sizes and capacity

Size USAL	200	250	300
Capacity* LTR/REV.	5.5	10.5	19

\*Capacity per revolution at 100% filling



## Specifications

- ▶ Minimum air leakage
- ▶ High filling efficiency
- ▶ Sheared angle inlet
- ▶ Easy detachable versions available
- ▶ Only cast iron versions available
- ▶ ATEX 2014/34/EU certification available
- ▶ Customised solutions
- ▶ EC1935/2004 conformity available

## Product Information

The USAL valves are supplied in cast iron. Variations such as nickel, chrome plating and Tungsten coating are equally available.

The standard rotor has 9 blades. Various rotor configurations are available, such as adjustable or fixed blades, reduced capacity, scalloped fixed vaned, end disc etc. The end covers have outboard bearings, lubricated and sealed for life. Shaft seals are available with gland packing or lipseal and optional air purge.

The standard models are suitable for products up to a temperature of +150 °C and a maximum pressure difference of 2 barg. Special configurations are available to accommodate temperatures up to +400 C. All models offer optimum venting through the large vent holes, standard pre-drilled and plugged.

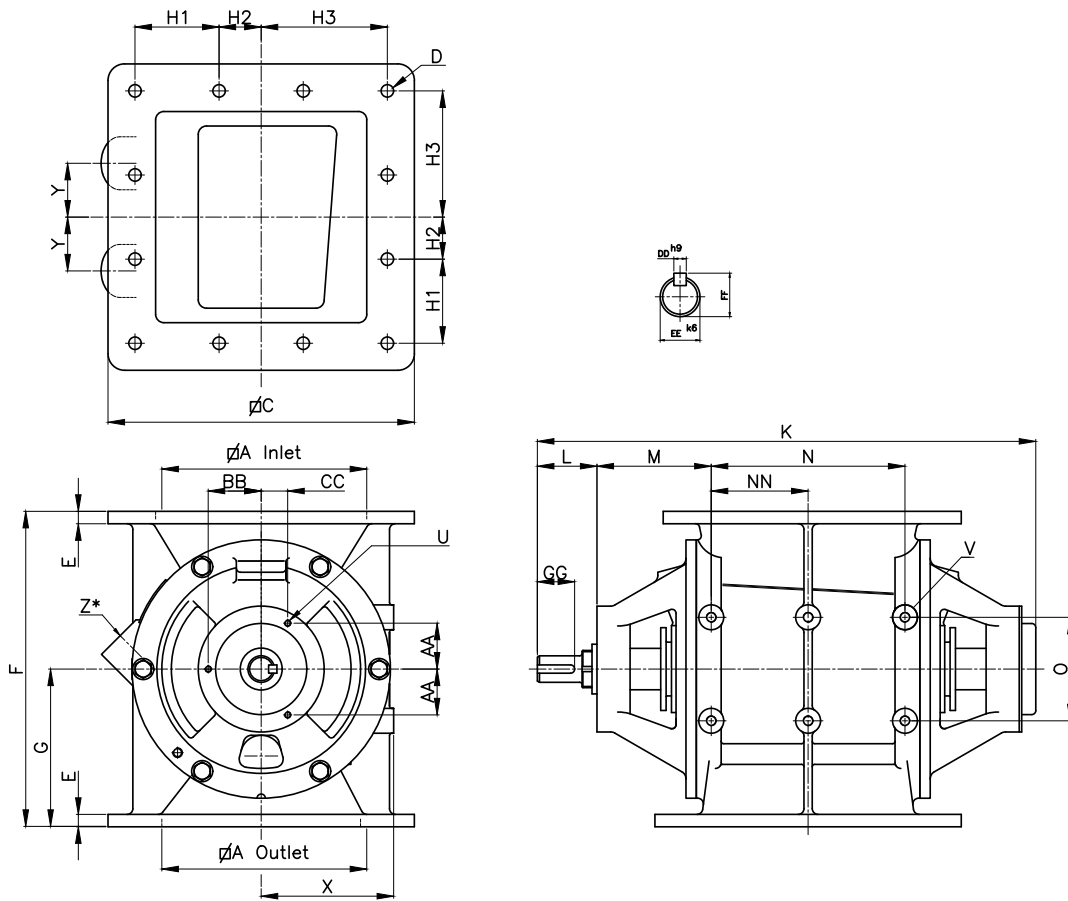
DMN-WESTINGHOUSE fits SEW drives as their standard. Whilst having a preference for direct drives, chain, drives can also be supplied.

## Application

The USAL is suitable for the following industries:

- ▶ Plastics
- ▶ Pet food
- ▶ Animal feed
- ▶ Chemicals
- ▶ Biomass
- ▶ Aquaculture
- ▶ Cosmetics
- ▶ Paint
- ▶ Minerals
- ▶ Recycling
- ▶ Batteries
- ▶ Tires

Continued on next page ▶▶



TYPE															
USAL	Ltr/rev	ØA inlet	ØA outlet	ØC	D	E	F	G	H1	H2	H3	K	L	M	N
200	5.5	205	190	320	8xØ12	14	305	152.5	-	63.5	123.8	514	60	125	190
250	10.5	255	240	370	12xØ15	15	381	190.5	101.6	50.8	152.4	609	72	138	234
300	19	306	285	445	12xØ15	21	463.5	231.8	123.8	61.9	185.7	659	72	138	284

TYPE														
USAL	NN	O	U	V	X	Y	Z'	AA	BB	CC	DD	EE	FF	GG
200	95	100	3xM6	6xM10	130	53	1"	37.1	52.5	37.1	8	30	33	36
250	117	125	3xM8	6xM12	160	65	1¼"	55.4	64	32	10	32	35	44
300	142	125	3xM8	6xM12	190	75	1¼"	55.4	64	32	10	32	35	44

\* Standard pre-drilled for cast iron.

Technical modifications are possible, dimensions in mm.