



# SANITARY AIRLOCK – SAL

The SAL is a low capacity rotary valve with a highly polished surface on both the inside and outside.

The SAL is suitable for metering applications where very high hygienic standards and ease of operation and cleaning are required. The complete valve can be dismantled for inspection and cleaned in a matter of minutes, thus reducing eventual downtime and production loss.

## Available sizes and capacity

Size SAL	50	65	80	100	150
Capacity* LTR/REV.	0.07	0.13	0.25	0.8	2.5

\*Capacity per revolution at 100% filling



## Specifications

- ▶ For sanitary use
- ▶ Easily detachable rotor
- ▶ Low capacity
- ▶ Complete valve highly polished (inside and outside)
- ▶ Product surfaces FDA approved
- ▶ Maximum product temperature up to +100°C
- ▶ System pressure up to 1 barg
- ▶ ATEX 2014/34/EU certification available
- ▶ EC1935/2004 conformity available

## Product Information

The SAL valve is machined from a solid stainless steel block, not cast material. Valve sizes 50-100 are made from solid DIN 1.4404 (AISI 316L) stainless steel and have an easily detachable full end disc rotor with 6 rotor pockets and tri-clamp flange connections. The SAL 150 is the same as the sizes 80 and 100 except that the rotor is an open-end design (Daibi rotor), and the flange connections are DN150 (6") drilled according to PN6.

The standard version has an easily detachable rotor, inboard bearings, and a direct drive with PTFE lip seals for the shaft sealing. The standard versions are suitable for handling products up to +100°C and a system pressure of 1 barg.

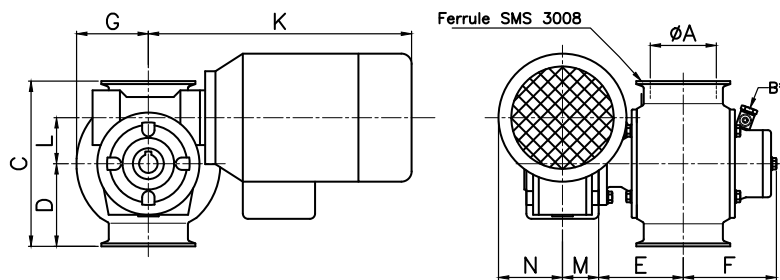
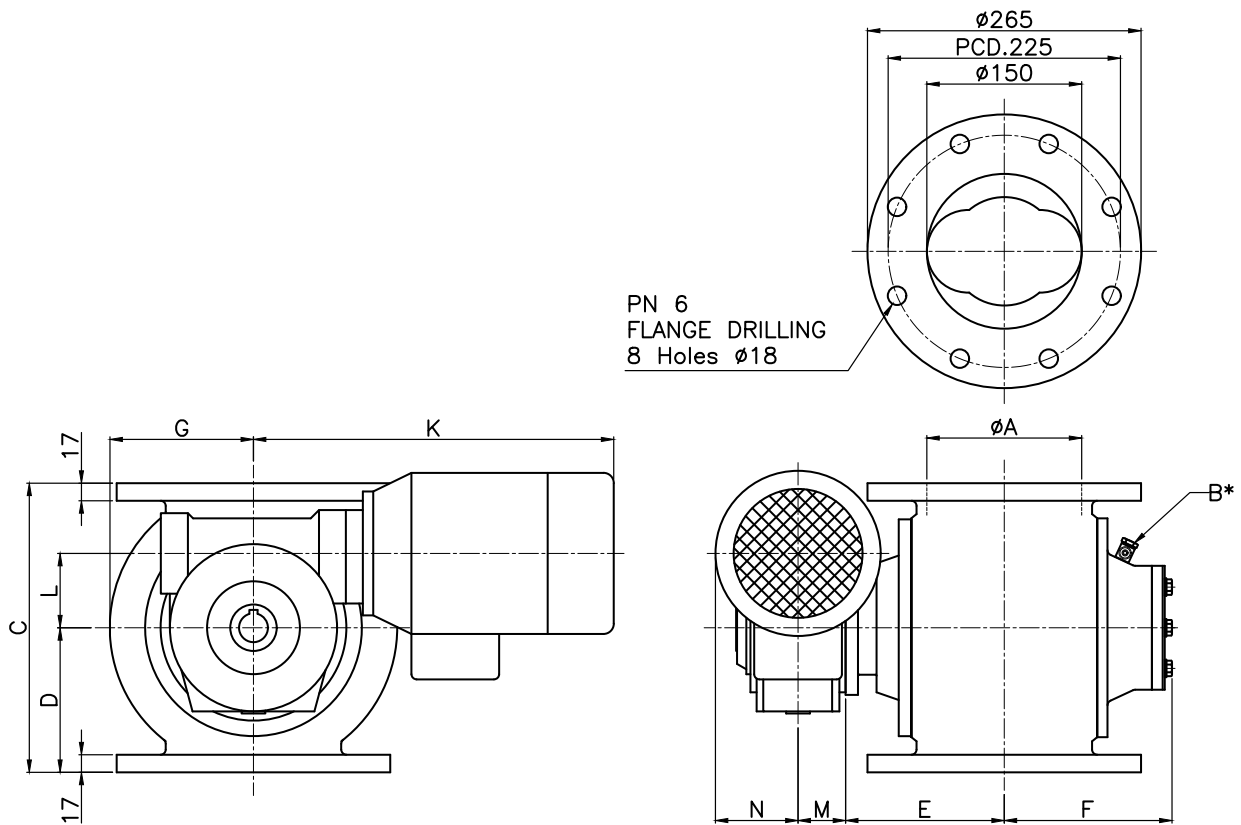
Optional is an air motor or DC motor, as well as an air purge shaft sealing. Other variations on the standard valve configuration are available on request.

## Application

The SAL is suitable for the following industries:

- ▶ Pharmaceutical
- ▶ Chemicals
- ▶ Cosmetics

Continued on next page ▶▶



TYPE									
SAL	Ltr/rev	$\phi A$	Size	B*	C	D	E	F	G
50	0.07	48.6	50.8	$\phi 4-M5$	110	55	61.5	76.5	51
65	0.13	60.3	63.5	$\phi 4-M5$	130	65	66.5	81.5	58
80	0.25	72.9	76.1	$\phi 6-\frac{1}{2}''$	160	80	82	95	70
100	0.8	97.6	101.6	$\phi 6-\frac{3}{8}''$	210	105	105	115	95
150	2.5	150	-	$\phi 8-\frac{1}{4}''$	280	140	154	163	139

TYPE																
SAL	Bonfiglioli drive	K	L	M	N	Sew drive	K	L	m	n	STM drive	K	L	M	N	
50						Z					RMI28P	226.5	28	36	58	
65											RMI28P	226.5	28	36	58	
80	MVF44P	255	44.6	35	62	WA20	250	23	47.5	66						
100	MVF49P	260	49.5	37	62	WA30	261	30	58	72.5						
150	MVF72P	349	72	46	78											

\* Option air purge

Technical modifications are possible, dimensions in mm.