



MEDIUM DUTY AIRLOCK – MLD

The MLD medium-duty valves are suitable for applications where valves with outboard bearings would be over-qualified. The valves give exceptional value for money due to the simple construction and direct drive.

The valves are suited for both conveying and metering purposes. They are ideal for vacuum conveying applications, Big bag unloading, cyclone applications, and general-purpose applications.

The MLD valve is based on the ML-valve body and is suitable for handling powders. The valve has one round flange and one square flange, both of which are larger than the MALD for the same rotor capacity. By this, the valve has a large inlet in

relation to the rotor volume, so that high filling efficiencies are obtained with free-flowing products. The valve can also act as a transition piece from round to square or vice versa.

Available sizes and capacity

Size MLD	100	150	200	250	300	350	400
Capacity* FT ³ /REV.	0.03	0.09	0.19	0.37	0.67	1.20	2.05

*Capacity per revolution at 100% filling



Specifications

- ▶ Compact design
- ▶ Standard fitted with Nord direct drive
- ▶ Pressure shock resistant up to 145 PSI
- ▶ Round flange drilling available to PN 10 and ANSI 150 lbs
- ▶ Suitable for frequency inverter control
- ▶ Sheared angle in-/outlet
- ▶ ATEX 2014/34/EU certification available
- ▶ EC1935/2004 conformity available

Product Information

The valves are available in two materials of construction: cast iron and stainless steel. The cast iron valves are also available nickel or chrome plated.

The standard rotor has 8 fixed blades chamfered on three sides. Various rotor configurations are optionally available with a variety of adjustable blades. The end covers have inboard ball bearings sealed for life. The shaft sealing utilizes lipseals, with the option of air purge.

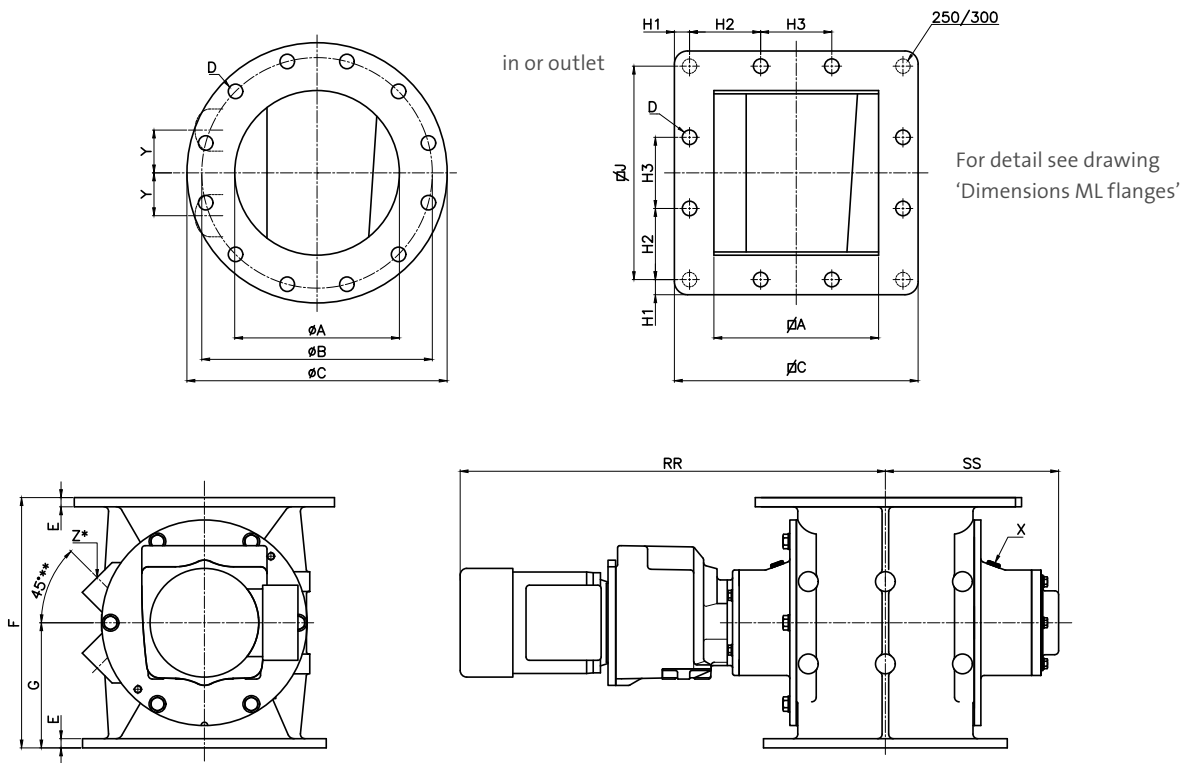
The standard models are suitable for handling products up to a temperature of +149°F and a maximum pressure differential of 14.5 PSI. The valves are pressure shock resistant up to 145 PSI.

Application

The MLD is suitable for the following industries:

- ▶ Food
- ▶ Animal feed
- ▶ Pet food
- ▶ Minerals
- ▶ Chemicals
- ▶ Recycling
- ▶ Plastics
- ▶ Biomass
- ▶ Paint

Continued on next page ▶▶



TYPE		ϕA	ϕA	ϕB	ϕC	ϕC	D	E	F	G	$H1$	$H2$	$H3$	ϕJ	X	Y	Z^*	RR	SS	Type NORD	\geq lb-in
MLD	FT ³ /rev																				
100	0.03	3.94	3.94	6.69	8.27	6.89	4x $\phi 0.71$	0.41	6.69	3.35	0.79	5.31	-	5.31	1/8" BSP	-	1/2" BSP	18.46	6.50	SK172.1F	620
150	0.09	5.91	5.91	9.45	11.22	10.51	8x $\phi 0.91$	0.43	10.83	5.43	3.46	3.62	-	8.74	1/4" BSP	1.57	3/4" BSP	23.90	8.43	SK373.1F	974
200	0.19	7.87	7.87	11.61	13.39	12.60	8x $\phi 0.91$	0.55	12.80	6.42	4.09	4.45	-	10.75	1/4" BSP	2.09	1" BSP	24.69	9.21	SK373.1F	1328
250	0.37	9.84	9.84	13.78	15.55	14.57	12x $\phi 0.91$	0.55	14.96	7.48	0.91	4.25	4.25	12.76	1/4" BSP	2.56	1 1/4" BSP	27.91	10.28	SK573.1F	1859
300	0.67	11.81	11.81	15.75	19.02	17.52	12x $\phi 0.91$	0.83	17.72	8.86	1.22	5.04	5.04	15.12	1/4" BSP	2.95	1 1/4" BSP	28.90	11.26	SK573.1F	2523
350	1.20	13.78	13.78	18.11	20.87	20.87	16x $\phi 0.91$	0.83	21.26	10.63	4.29	4.09	4.09	18.11	3/8" BSP	3.74	1 1/2" BSP	31.38	13.54	SK573.1F	3629
400	2.05	15.75	15.75	20.28	23.43	23.43	16x $\phi 1.02$	1.02	25.98	12.99	4.92	4.53	4.53	20.28	3/8" BSP	4.41	1 1/2" BSP	33.54	14.92	SK673.1F	4959

* Standard not pre-drilled.

Technical modifications are possible, dimensions in inches.