



# AIRLOCK – AL/AXL MZC

The MZC rotary valves have proven to be very successful in sanitary applications (Dairy execution) and many other metering and pneumatic conveying applications.

The unit is equipped with an easily detachable rotor which can be removed within minutes to facilitate thorough inspection and cleaning. The extraction mechanism offers a high degree of operator safety and gives line operators considerable flexibility in cleaning and maintaining the equipment between runs. Moreover, the stability of the extraction mechanism ensures that the rotor can be easily moved in and out of the housing without damaging the housing or the rotor blades.

The configuration with direct drive has a very narrow construction. The direct drive, in conjunction with a frequency inverter, results in a very flexible, safe, and maintenance-friendly unit (no chains or grease).

The product line also includes USDA Dairy accepted models and versions conforming to the EC 1935/2004 directive for sanitary use in the food and pharmaceutical industry: the types Dairy MZC with supporting bars for easy removal of rotor and end cover. These stainless steel valves are easy detachable in a few minutes and meet the highest hygienic standards.

### Available sizes and capacity

Size AL	150	175	200	250	300	350
Size AXL		200	250	300	350	
Capacity* LTR/REV.	2.5	5.5	10.5	19	34	58

\*Capacity per revolution at 100% filling



## Specifications

- ▶ Supporting bars for easy removal of rotor and end cover
- ▶ Narrow, flexible, and maintenance-friendly construction with direct drive
- ▶ Hygienic, USDA Dairy accepted versions available
- ▶ EC1935/2004 conformity available
- ▶ Increased operator safety
- ▶ ATEX 2014/34/EU certification available
- ▶ ATEX Autonomous Protective System (APS) certification available

## Product Information

The MZC valves are supplied in 316 stainless steel and cast iron. Variations such as chrome plating and Tungsten coating are equally available.

The standard rotor has 9 blades. Various rotor configurations are available, such as adjustable or fixed blades, reduced capacity, scalloped fixed vaned, end disc etc. The end covers have outboard bearing, lubricated and sealed for life. Shaft seals are available with gland packing or lipseal and optional air purge.

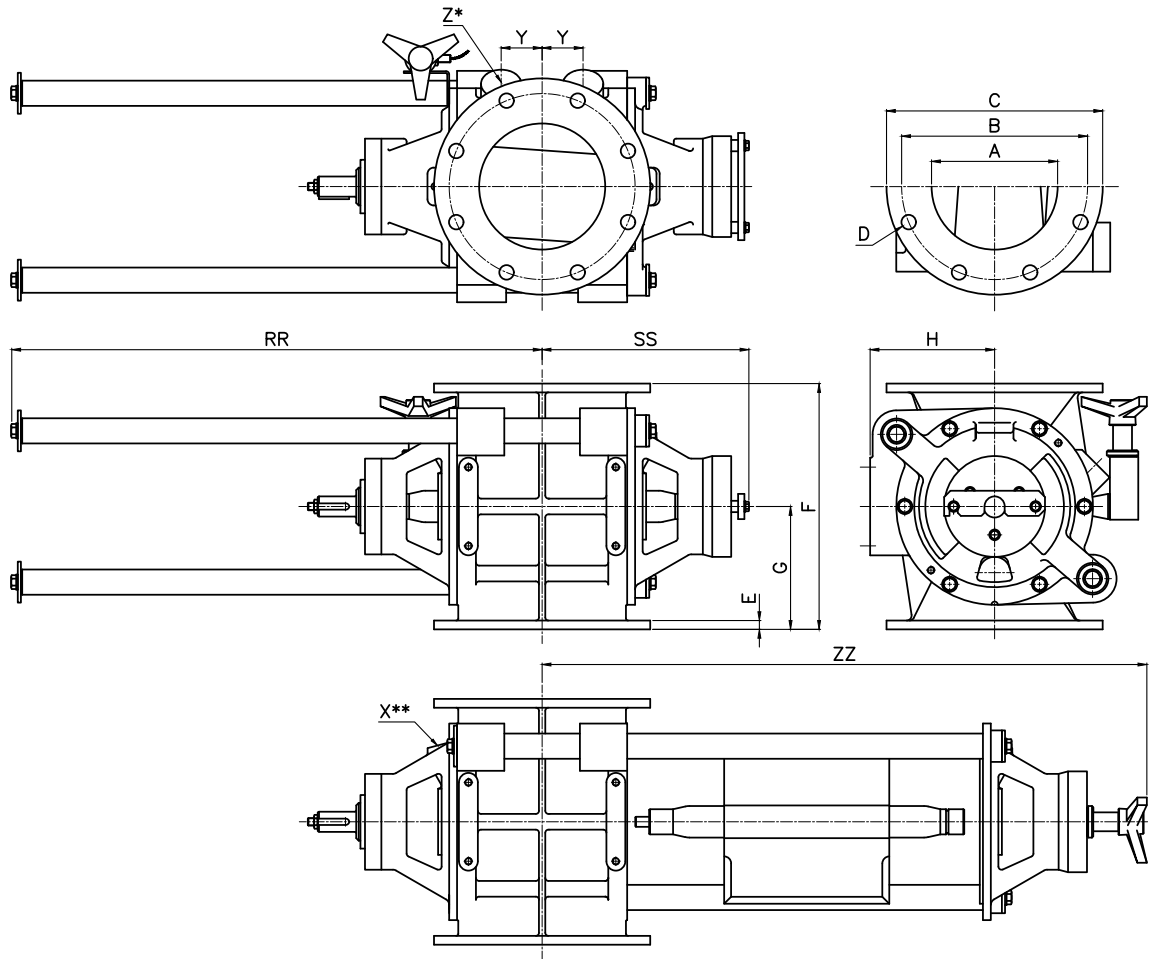
The standard models are suitable for temperatures up to +150°C and pressure up to 2 barg. ATEX Autonomous Protective System (APS) certified configurations are available up to 10 barg.

## Application

The AL/AXL MZC is suitable for the following industries:

- ▶ Food
- ▶ Dairy
- ▶ Animal feed
- ▶ Infant formula
- ▶ Cosmetics
- ▶ Pet food
- ▶ Animal feed
- ▶ Pharmaceutical
- ▶ Paint

Continued on next page ▶▶



**AL MZC**

**AXL MZC**

TYPE		Ltr/rev	DIN			ANSI				DIN			ANSI			E
AL	AXL		ØA	ØB	D	ØC	ØB	D	E	ØA	ØB	C	ØC	ØB	D	
150		2,5	150	240	8xØ23	285	241,3	8xØ22,2	12							
175	200	5,5	175	270	8xØ23	315	-	-	14	200	295	8xØ23	343	298,4	8xØ22,2	14
200	250	10,5	200	295	8xØ23	343	298,4	8xØ22,2	14	250	350	12xØ23	406	361,9	12xØ25,4	16
250	300	19	250	350	12xØ23	406	361,9	12xØ25,4	16	300	400	12xØ23	483	431,8	12xØ25,4	21
300	350	34	300	400	12xØ23	483	431,8	12xØ25,4	21	350	460	16xØ23	530	476,2	12xØ28,6	21
350		58	350	460	16xØ23	530	476,2	12xØ28,6	26							

TYPE		F	G	H	x**	X**Dairy	Y	Z*	Z*Dairy	RR	SS	ZZ
AL	AXL											
150		280	140	143	¼"	¼"(Ø10)	40	¾"	UNEF 1 ½"	651	274	895
175	200	330	165	165	¼"	¼"(Ø10)	53	1"	UNEF 1 ½"	631	294	875
200	250	390	195	197.5	¼"	¼"(Ø10)	65	1 ¼"	UNEF 1 ½"	853	329	1107
250	300	450	225	222.5	¼"	¼"(Ø10)	75	1 ¼"	UNEF 1 ½"	828	354	1082
300	350	540	270	225	¾"	¼"(Ø10)	95	1 ¼"	UNEF 1 ½"	890	405	1153
350		660	330	270	¾"	¼"(Ø10)	112	1 ½"	UNEF 1 ½"	1055	440	1315

\* Standard pre-drilled for cast iron

\*\* Air purge connection

Technical modifications are possible, dimensions in mm.