



USDA



# GRAVITY PLUG DIVERTER – GPD

The GPD is a two-way, demountable gravity diverter valve, ideal for system installations that require frequent cleaning with minimum downtime. The design allows for fast disassembly in installed location and easy access to all product contact surfaces. Material flow through the valve is unrestricted with no ledges or dead spots.

The diverters are manufactured in a range of finish options, including sanitary specifications. The GPD range also includes

USDA Dairy Accepted models. The GPD diverts gravity-fed material to either of two lines by a rotating blade that swings through 120° to close of the unused port. This is done with extremely close, machined tolerances between rotating blade and body.

### Available sizes

| Size GPD | 150 | 200 | 250 | 300 |
|----------|-----|-----|-----|-----|
|----------|-----|-----|-----|-----|



### Specifications

- ▶ USDA Dairy Accepted versions available
- ▶ Rugged cast construction
- ▶ Available in stainless steel AISI 316, cast iron and aluminium
- ▶ Change on the fly with most powders
- ▶ Easily detachable design
- ▶ One-piece body with removable end plates and rotating blade assembly
- ▶ Pneumatic or manual operation
- ▶ Flanges drilled according to PN 10 or ANSI 150 lbs
- ▶ No pressure difference allowed
- ▶ ATEX 2014/34/EU certification available
- ▶ EC1935/2004 conformity available

### Product Information

The GPD diverter is available with a cast iron, aluminium or stainless steel AISI 316 housing, in which either a mild steel or stainless steel AISI 316 plug is installed. The diverters are manufactured from a rugged cast design, which guarantees stability and trouble-free operation.

Comparable fabricated gravity flap diverters typically have a polyurethane flap clamped between two metal plates to provide the seal. The disadvantage of this construction is that sealing material can break off and cause leakage and product contamination. There is also a risk that nuts and bolts could come undone and contaminate the product as well as damaging equipment downstream. The GPD however, has a rotor manufactured as a one-piece fabrication, therefore eliminating these risks.

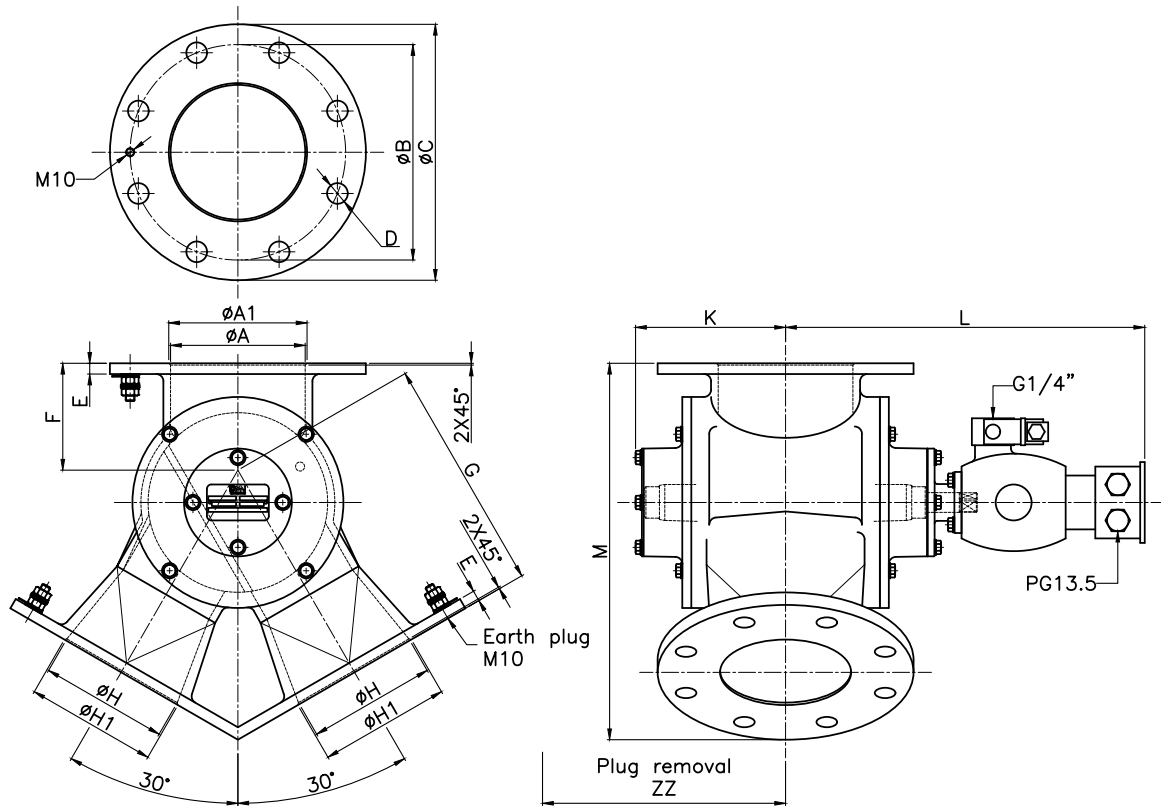
The GPD is suitable for product temperatures ranging from +14°F up to +176°F. Options for higher temperatures are available on request.

### Application

The GPD is suitable for the following industries:

- ▶ Food
- ▶ Dairy
- ▶ Animal feed
- ▶ Pet food
- ▶ Batteries
- ▶ Tires
- ▶ Biomass
- ▶ Recycling
- ▶ Pharmaceutical
- ▶ Plastics
- ▶ Chemicals
- ▶ Minerals
- ▶ Aquaculture
- ▶ Infant formula
- ▶ Cosmetics
- ▶ Paint

Continued on next page ▶▶



| TYPE | DIN   |       |          |       | ANSI  |          | E    | F    | G     | K    | L     | ZZ    |
|------|-------|-------|----------|-------|-------|----------|------|------|-------|------|-------|-------|
|      | ØA    | ØB    | D        | ØC    | ØB    | D        |      |      |       |      |       |       |
| 150  | 5.91  | 9.45  | 8xØ0.91  | 11.22 | 9.50  | 8xØ0.87  | 0.47 | 4.69 | 10.24 | 6.69 | 15.75 | 19.09 |
| 200  | 7.87  | 11.61 | 8xØ0.91  | 13.50 | 11.75 | 8xØ0.87  | 0.59 | 5.47 | 12.20 | 7.68 | 16.73 | 22.05 |
| 250  | 9.84  | 13.78 | 12xØ0.91 | 15.98 | 14.25 | 12xØ1.00 | 0.59 | 6.10 | 14.76 | 8.66 | 18.90 | 25.39 |
| 300  | 11.81 | 15.75 | 12xØ0.91 | 19.02 | 17.00 | 12xØ1.00 | 0.59 | 6.50 | 17.72 | 9.65 | 19.88 | 28.35 |

Technical modifications are possible, dimensions in inches.