



FLAP TYPE DIVERTER – FDV

The FDV flap type diverters are designed to divert powders and pellets in pneumatic conveying systems.

The FDV is available in two versions: the FDV-F type with flange ends and the FDV-P type with pipe ends. Both versions are available in aluminium, cast iron, and stainless steel.

For the FDV, there are three operating modes: a pneumatic actuator assembly, an electrical actuator, and manual operation.

Available sizes

Size FDV-F	50	65	80	100	125	150	200	250
Size FDV-P	50	65	80	100	125	150		



Specifications

- ▶ Compact form
- ▶ Optimal sealing
- ▶ Simple construction
- ▶ Minimal pressure loss
- ▶ Available with flange or pipe fittings
- ▶ Flanges drilled in accordance with PN 10, ANSI 150 lbs
- ▶ Cast iron, aluminium or 316 stainless steel
- ▶ Pressure range from -300 mbarg up to 2 barg
- ▶ Temperature up to +80°C
- ▶ ATEX 2014/34/EU certification available
- ▶ EC1935/2004 conformity available

Product Information

The FDV diverter can be used in systems with positive pressures up to 2 barg and negative pressures up to 300 mbarg.

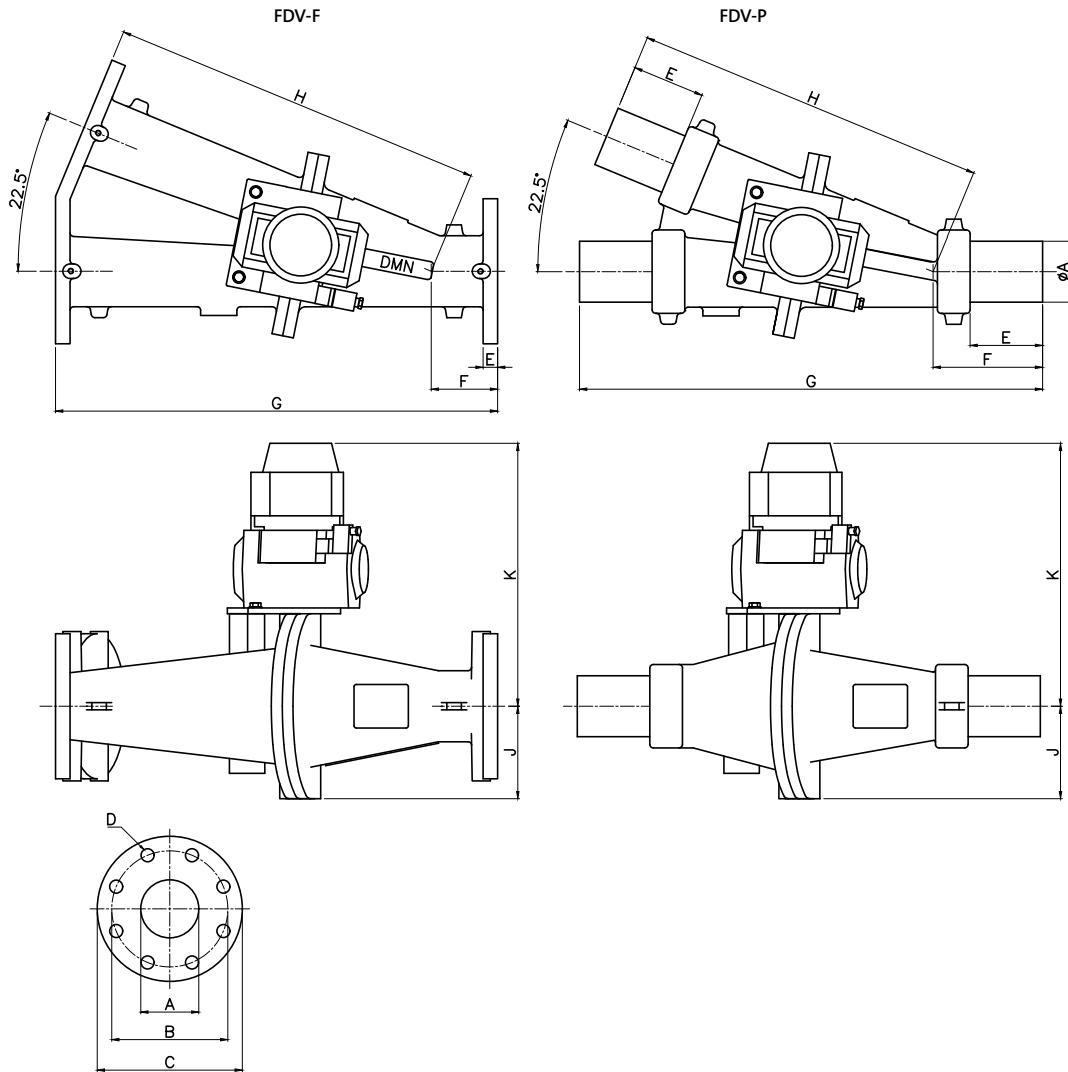
The standard polyurethane flap can be used for temperatures up to +80°C. Options for higher temperatures are available on request.

The flap assembly of the diverter can be fitted with a wear resistant flap or a food quality polyurethane seal, providing a virtual leak proof unit.

Application

The FDV is suitable for the following industries:

- ▶ Food
- ▶ Plastics
- ▶ Animal feed
- ▶ Biomass
- ▶ Cosmetics
- ▶ Paint
- ▶ Minerals
- ▶ Recycling
- ▶ Batteries
- ▶ Tires
- ▶ Chemicals



TYPE	DIN				ANSI							
	$\varnothing A$	$\varnothing B$	D	$\varnothing C$	$\varnothing B$	D	E	F	G	H	J	K
FDV-F												
50	50	125	4x $\varnothing 18$	165	120.6	4x $\varnothing 19$	12	90	520	430	103	321
65	65	145	4x $\varnothing 18$	185	139.7	4x $\varnothing 19$	12	90	570	480	110	328
80	80	160	8x $\varnothing 18$	200	152.4	4x $\varnothing 19$	12	90	610	520	128	363
100	100	180	8x $\varnothing 18$	220	190.5	8x $\varnothing 19$	12	95	740	645	143	376
125	125	210	8x $\varnothing 18$	250	215.9	8x $\varnothing 22,2$	12	95	740	645	165	410
150	150	240	8x $\varnothing 22$	285	241.3	8x $\varnothing 22,2$	12	105	840	735	185	430
200	200	295	8x $\varnothing 23$	343	298.4	8x $\varnothing 22,2$	24	45	925	880	115	484
250	250	350	12x $\varnothing 23$	406	361.9	12x $\varnothing 25,4$	24	54	1070	1016	250	519

TYPE	$\varnothing A$		E	F	G	H	J	K
FDV-P	(AISI)	(St.37)						
50	$\varnothing 54 \times 2$	$\varnothing 54 \times 2,6$	100	150	540	390	103	321
65	$\varnothing 70 \times 2$	$\varnothing 70 \times 2,9$	100	150	540	390	110	328
80	$\varnothing 84 \times 2$	$\varnothing 88,9 \times 2,9$	100	150	637	487	128	363
100	$\varnothing 104 \times 2$	$\varnothing 108 \times 3,6$	100	150	670	520	143	376
125	$\varnothing 129 \times 2$	$\varnothing 133 \times 4$	100	153	715	562	165	410
150	$\varnothing 154 \times 2$	$\varnothing 159 \times 4,5$	100	163	735	572	185	430

* Standard pre-drilled for cast iron

Technical modifications are possible, dimensions in mm.