



FLAP TYPE DIVERTER – FDV

The FDV flap type diverters are designed to divert powders and pellets in pneumatic conveying systems.

The FDV is available in two versions: the FDV-F type with flange ends and the FDV-P type with pipe ends. Both versions are available in aluminium, cast iron, and stainless steel.

For the FDV, there are three operating modes: a pneumatic actuator assembly, an electrical actuator, and manual operation.

Available sizes

Size FDV-F	50	65	80	100	125	150	200	250
Size FDV-P	50	65	80	100	125	150		



Specifications

- ▶ Compact form
- ▶ Optimal sealing
- ▶ Simple construction
- ▶ Minimal pressure loss
- ▶ Available with flange or pipe fittings
- ▶ Flanges drilled in accordance with PN 10, ANSI 150 lbs
- ▶ Cast iron, aluminium or 316 stainless steel
- ▶ Pressure range from 4.35 up to 29 PSI
- ▶ Temperature up to +176°F
- ▶ ATEX 2014/34/EU certification available
- ▶ EC1935/2004 conformity available

Product Information

The FDV diverter can be used in systems with positive pressures up to 29 PSI and negative pressures up to 4.35 PSI.

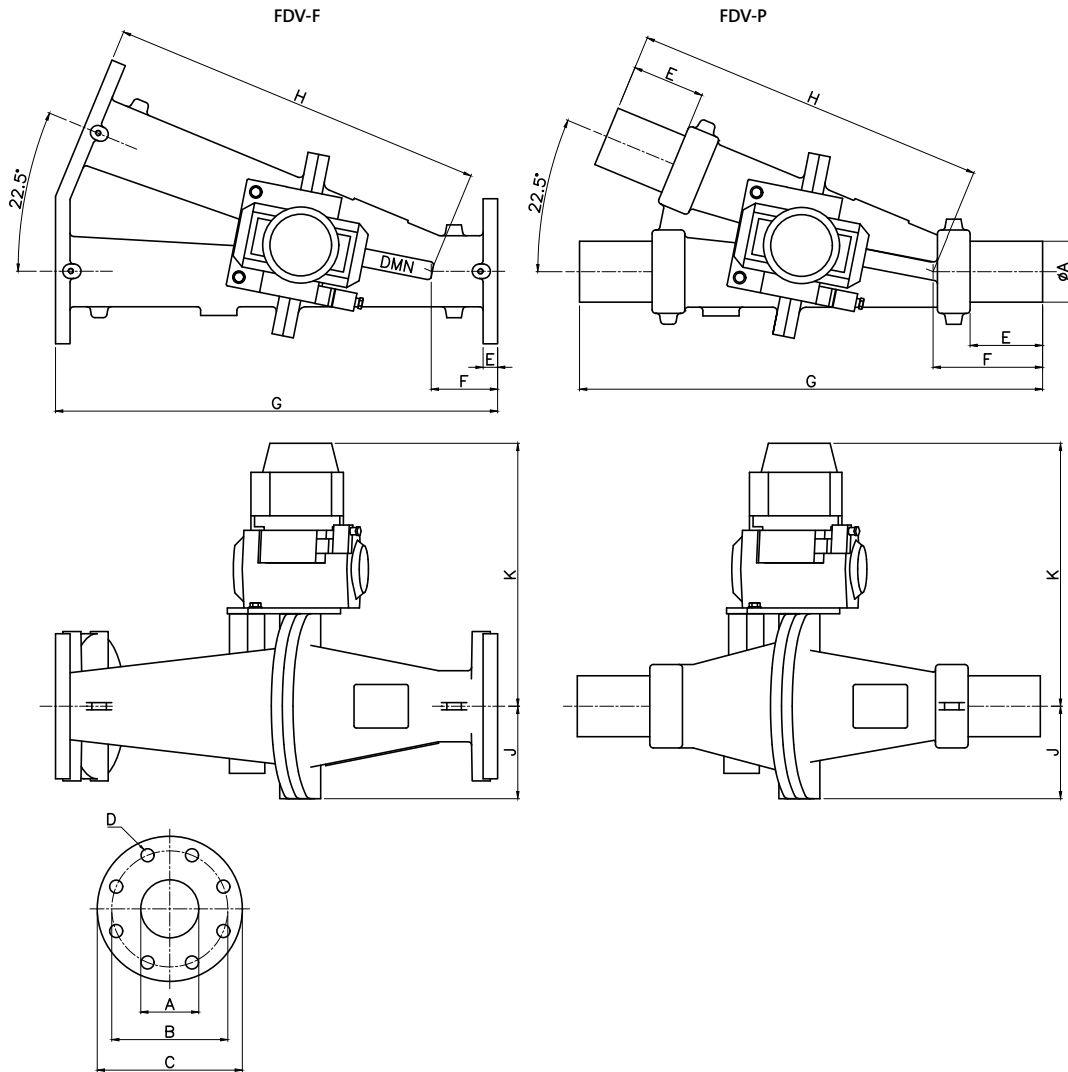
The standard polyurethane flap can be used for temperatures up to +176°F. Options for higher temperatures are available on request.

The flap assembly of the diverter can be fitted with a wear resistant flap or a food quality polyurethane seal, providing a virtual leak proof unit.

Application

The FDV is suitable for the following industries:

- ▶ Food
- ▶ Plastics
- ▶ Animal feed
- ▶ Biomass
- ▶ Cosmetics
- ▶ Paint
- ▶ Minerals
- ▶ Recycling
- ▶ Batteries
- ▶ Tires
- ▶ Chemicals



TYPE	DIN				ANSI							
	$\varnothing A$	$\varnothing B$	D	$\varnothing C$	$\varnothing B$	D	E	F	G	H	J	K
FDV-F												
50	1.97	4.92	4x $\varnothing 0.71$	6.50	4.75	4x $\varnothing 0.75$	0.47	3.54	20.47	16.93	4.06	12.64
65	2.56	5.71	4x $\varnothing 0.71$	7.28	5.50	4x $\varnothing 0.75$	0.47	3.54	22.44	18.90	4.33	12.91
80	3.15	6.30	8x $\varnothing 0.71$	7.87	6.00	4x $\varnothing 0.75$	0.47	3.54	24.02	20.47	5.04	14.29
100	3.94	7.09	8x $\varnothing 0.71$	8.66	7.50	8x $\varnothing 0.75$	0.47	3.54	25.98	22.44	5.63	14.80
125	4.92	8.27	8x $\varnothing 0.71$	9.84	8.50	8x $\varnothing 0.87$	0.47	3.74	29.13	25.39	6.50	16.14
150	5.91	9.45	8x $\varnothing 0.87$	11.22	9.50	8x $\varnothing 0.87$	0.47	4.13	33.07	28.94	7.28	16.93
200	7.87	11.61	8x $\varnothing 0.91$	13.50	11.75	8x $\varnothing 0.87$	0.94	1.77	36.42	34.65	8.46	19.06
250	9.84	13.78	12x $\varnothing 0.91$	15.98	14.25	12x $\varnothing 1.00$	0.94	2.13	42.13	40.00	9.84	20.43

TYPE	$\varnothing A$		E	F	G	H	J	K
FDV-P	$\varnothing A$ (AISI)	$\varnothing A$ (St.37)						
50	$\varnothing 2.13 \times 0.08$	$\varnothing 2.13 \times 0.10$	3.94	5.91	21.26	15.35	4.06	12.64
65	$\varnothing 2.76 \times 0.08$	$\varnothing 2.76 \times 0.11$	3.94	5.91	21.26	15.35	4.33	12.91
80	$\varnothing 3.31 \times 0.08$	$\varnothing 3.50 \times 0.16$	3.94	5.91	25.08	19.17	5.04	14.29
100	$\varnothing 4.09 \times 0.08$	$\varnothing 4.25 \times 0.14$	3.94	5.91	26.38	20.47	5.63	14.80
125	$\varnothing 5.08 \times 0.08$	$\varnothing 5.24 \times 0.16$	3.94	6.02	28.15	22.13	6.50	16.14
150	$\varnothing 6.06 \times 0.08$	$\varnothing 6.26 \times 0.18$	3.94	6.42	28.94	22.52	7.28	16.93

* Standard pre-drilled for cast iron

Technical modifications are possible, dimensions in inches.